

## 634737 RECALL KIT - HTS DIAGNOSTIC PROCEDURES

**WARNING!** Do NOT disconnect or bypass the HTS when servicing! Refrigerators can cause a fire resulting in property damage, injury or death if this HTS safety device is disabled.

**WARNING!** Information provided is ONLY intended for professional technicians, trained and qualified in the safe repair practices and operation of AC (110V), DC electrical, and LP gas components.

Improper installation, adjustment, alteration, service or maintenance can cause injury or property damage!

### Purpose:

This service bulletin is intended to provide safe procedures and troubleshooting steps that provide diagnostic procedures to aide service personnel in identifying the root cause of:

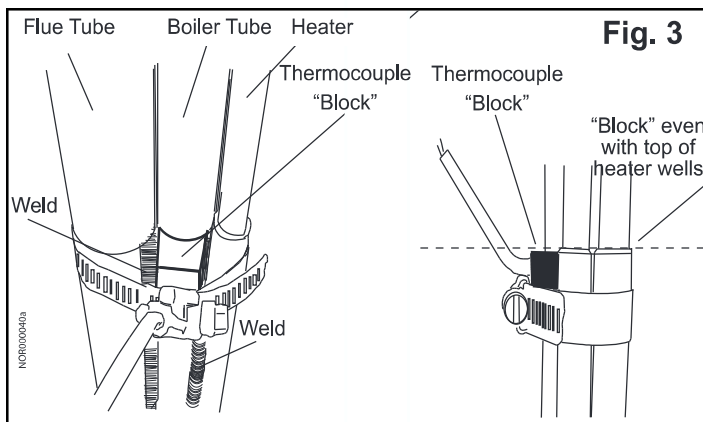
- A BLANK DISPLAY (Refrigerator will not turn on) on 1200 model refrigerators fitted with a 634737 RECALL KIT - HTS.
- A LI oP error code on a 1200 model refrigerator fitted with a controls adapter kit and a 634737 RECALL KIT - HTS.
- A LI oP error code on 1210 model refrigerators fitted with a 634737 RECALL KIT - HTS and/or a factory installed kit.

### Models Affected:

1200 and/or 1210 model refrigerators fitted with a field or factory installed HTS (High Temperature Sensor).

### Tools Needed

- Nut Driver Set
- Volt Meter
- Long Blade Razor Knife
- Litmus paper

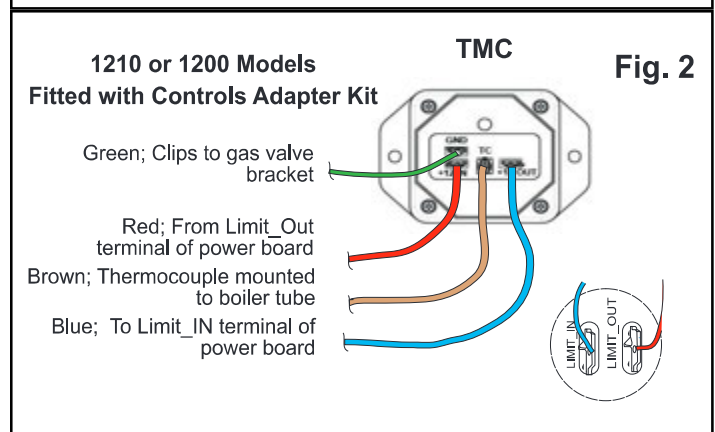
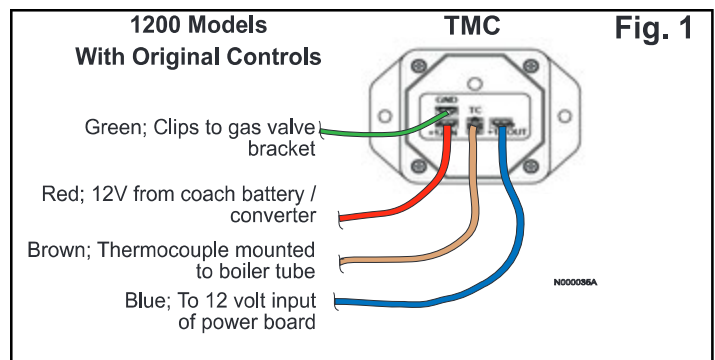


### Procedures:

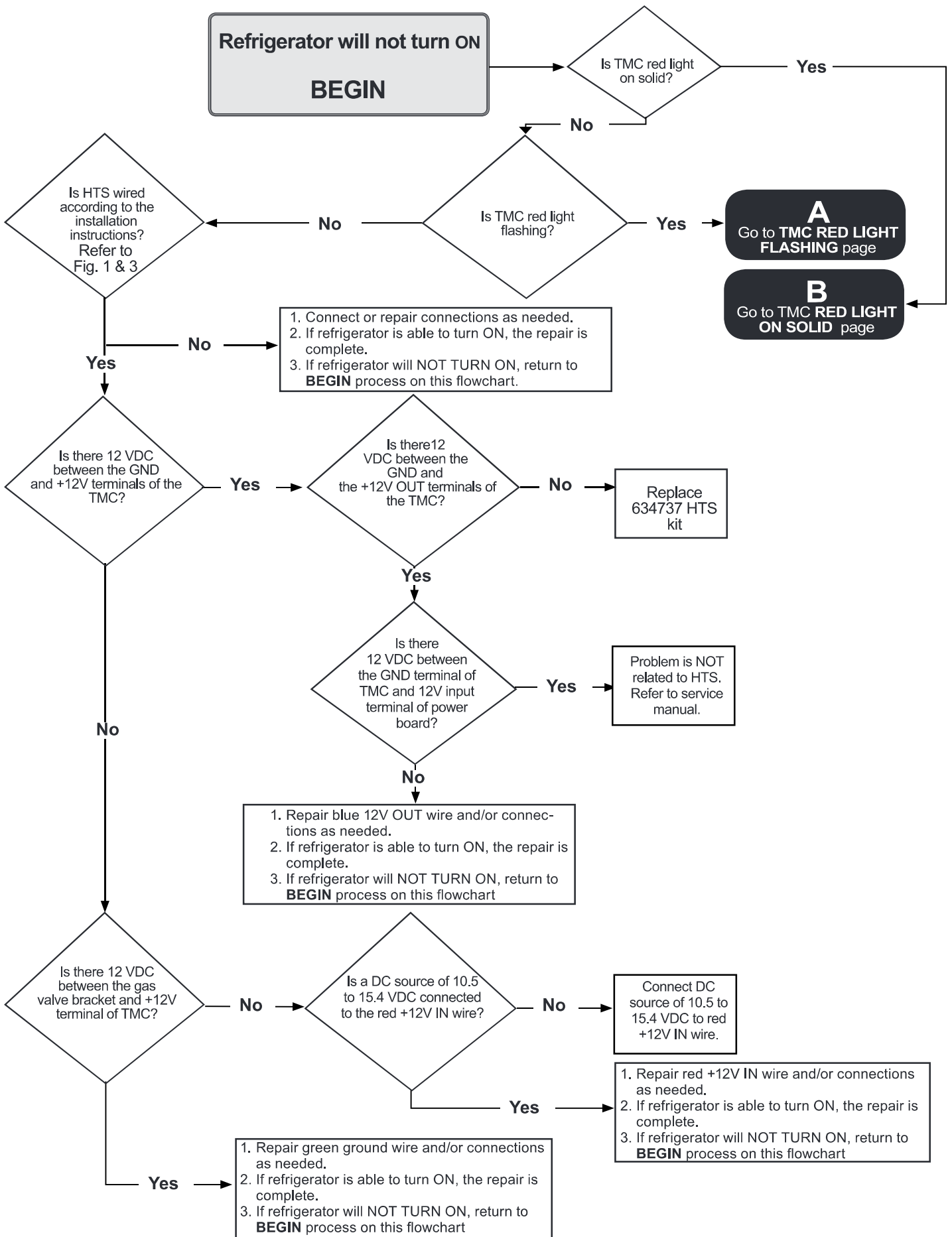
- **1200 Model Refrigerators With Blank Display**  
Follow the *1200 Blank Display - Refrigerator Will Not Turn On Diagnostic Flowchart* procedure. Refer to Fig. 1 for configuration.
- **1200 Model Refrigerators - With LI oP Display**  
Follow the *LI oP Error Code Diagnostic Flowchart* procedure. Refer to Fig. 2 for configuration.  
**NOTE:** If a 1200 model refrigerator displays the LI oP error, it is because the refrigerator has been retrofitted with a controls adapter kit.
- **1210 Model Refrigerators**  
Follow the *LI oP Error Code Diagnostic Flowchart* procedure. Refer to Fig. 2 for configuration.

### Acronyms and Terms

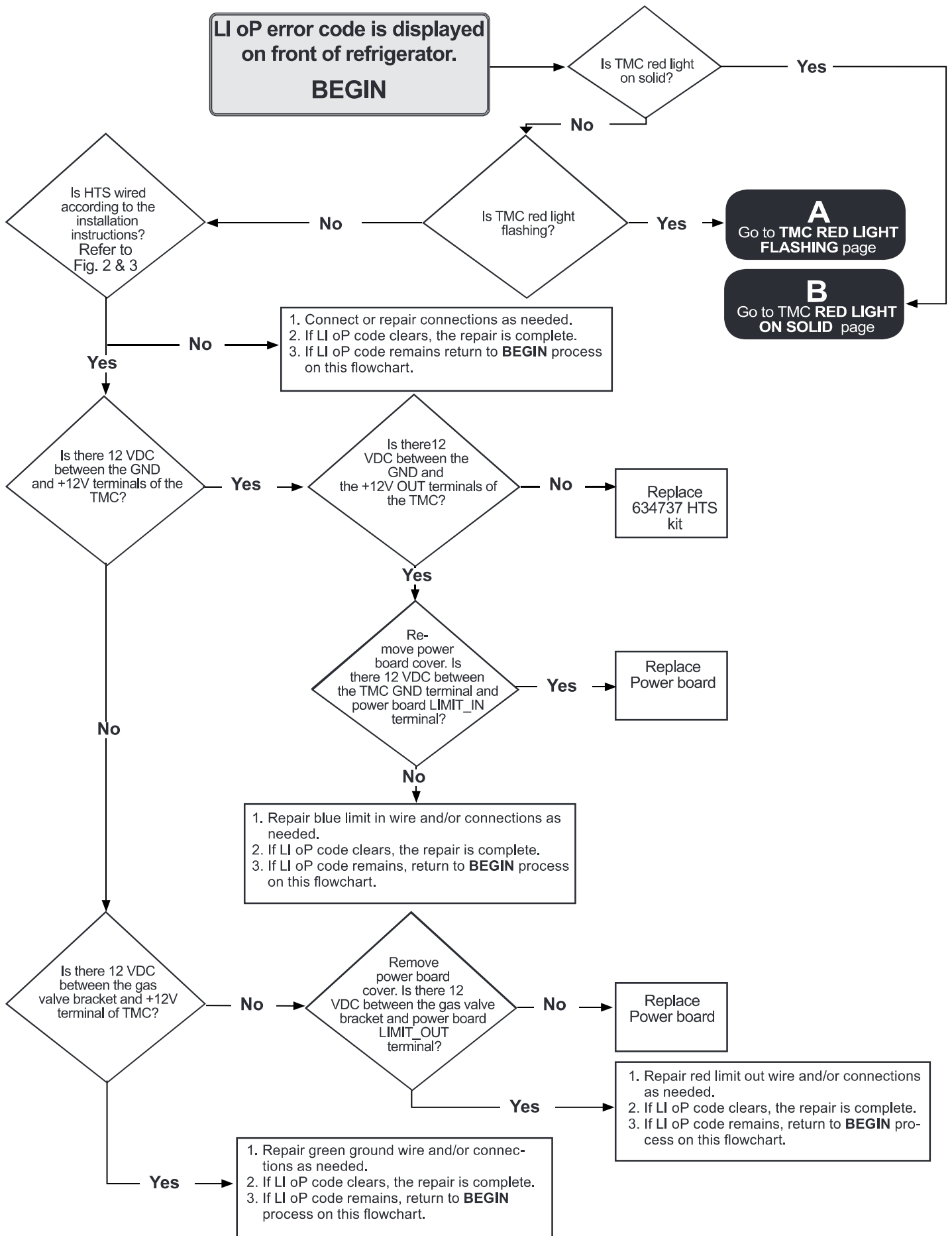
- **HTS (High Temperature Sensor):**  
Refers to the 634737 RECALL KIT - HTS and/or factory installed kit.
- **TMC (Temperature Monitoring Control):**  
Refers to the electronic control box ("black-box") that is a part of the 634677 RECALL KIT - HTS and/or factory installed kit.
- **Thermocouple:**  
Refers to the temperature sensor (with muffler clamp) that is mounted to the boiler tube.



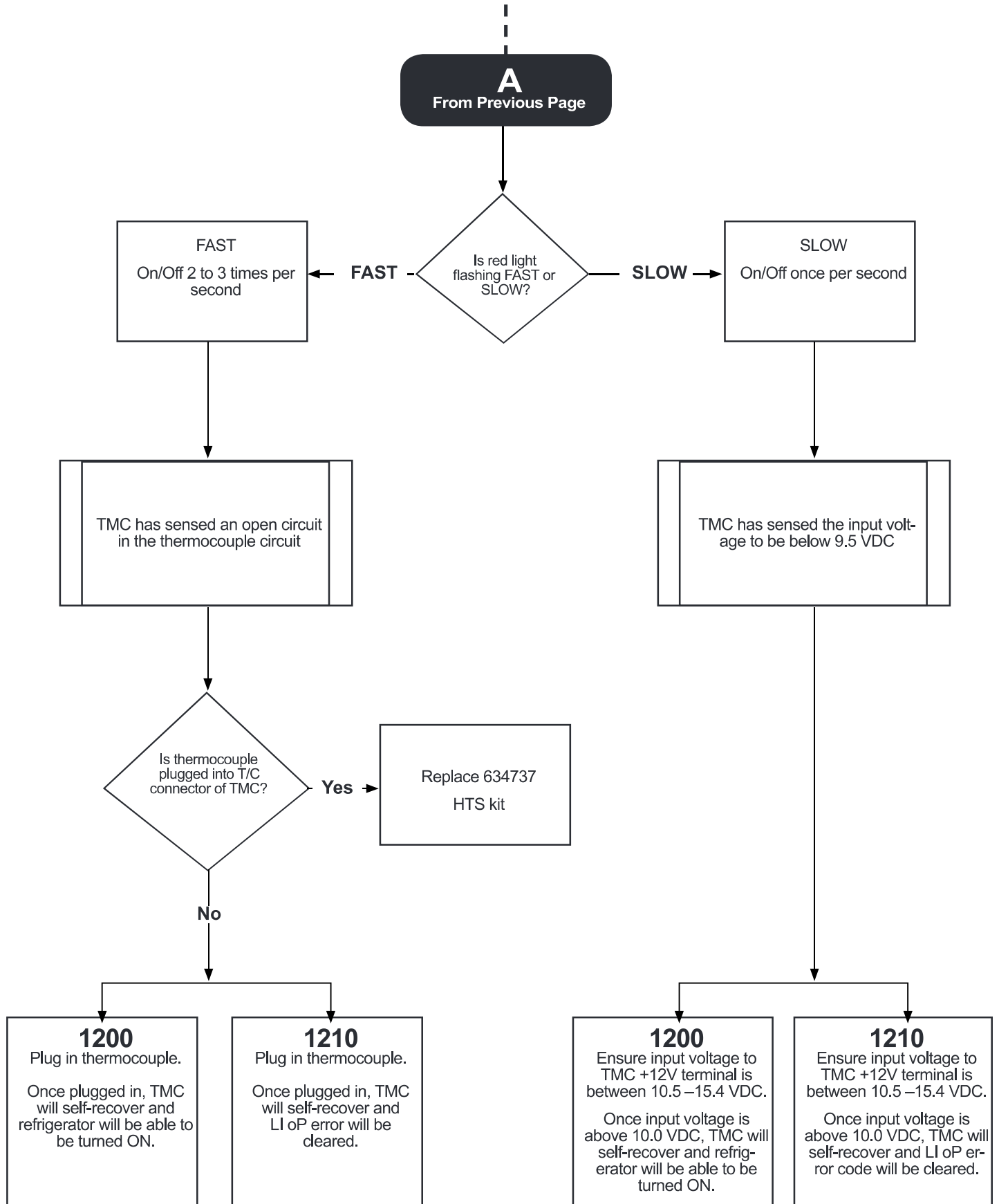
# 1200 Blank Display - Refrigerator Will Not Turn On Diagnostic Flowchart



# LI oP Error Code Diagnostic Flowchart



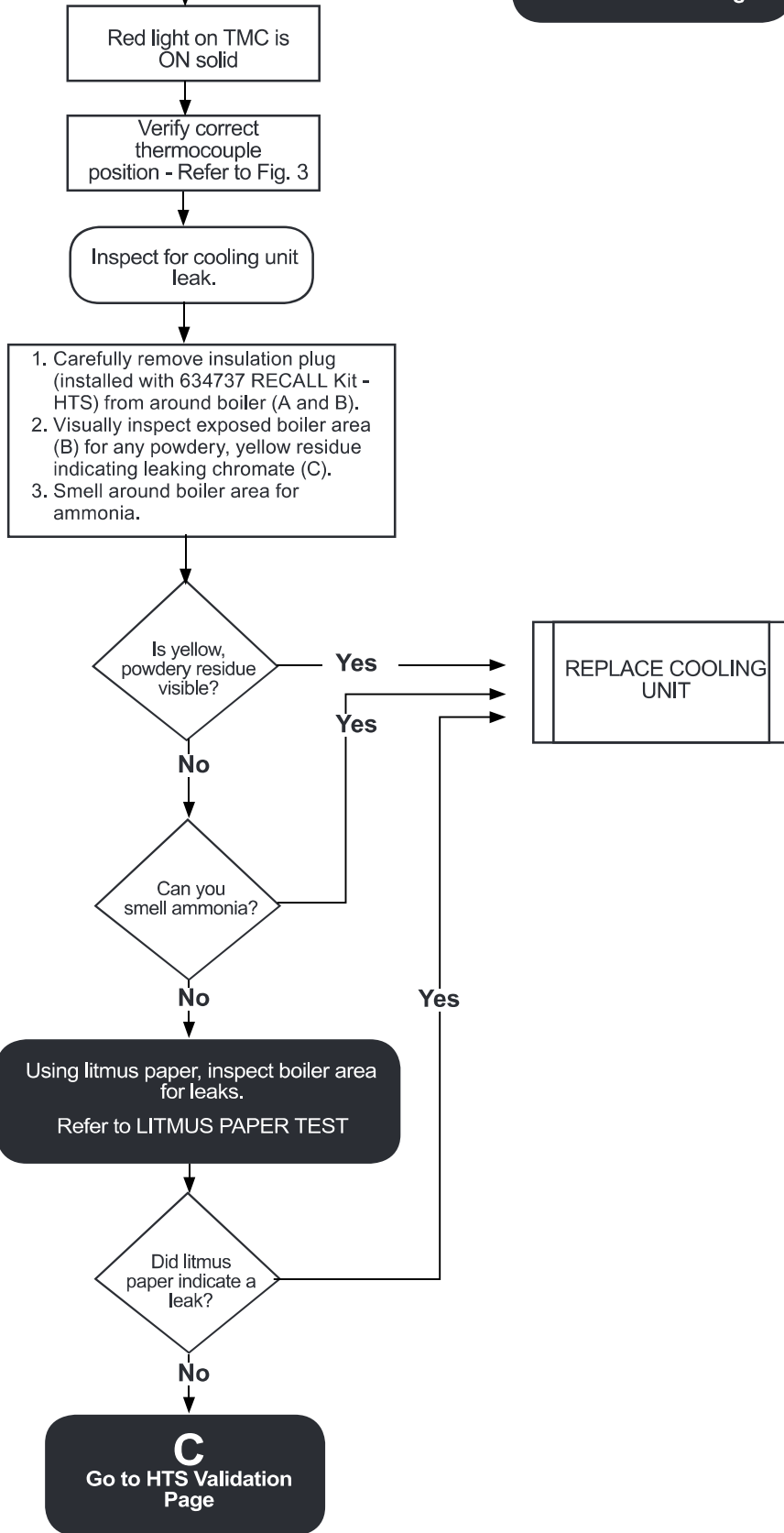
# TMC Red Light Flashing



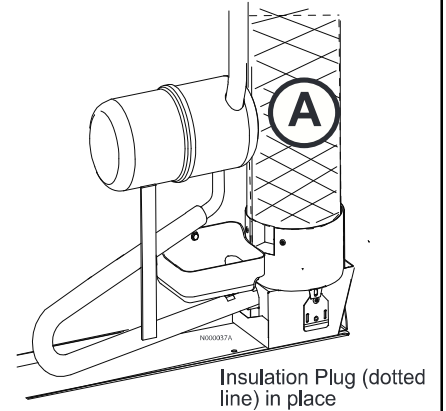
# Red Light on Solid

**B**

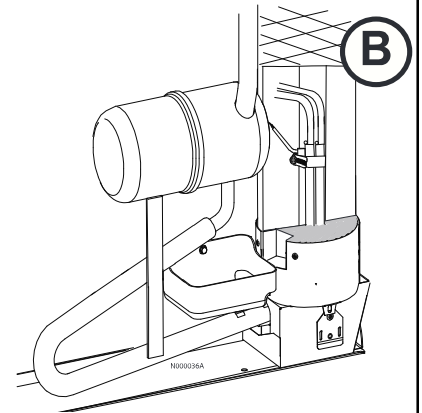
From Previous Page



## Removing Insulation

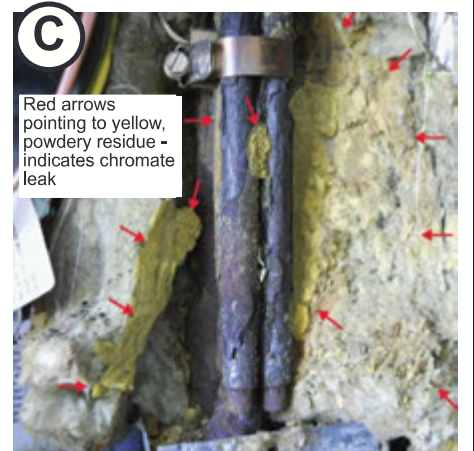


1. Remove - the system insulation (A) or remove the insulation plug.



2. Inspect for powdery, yellow residue (B).

## Example Chromate Leaking



This manual has been provided courtesy of  
My RV Works, Inc.

[www.myrvworks.com](http://www.myrvworks.com)



You can find more RV service manuals here:

[www.myrvworks.com/manuals](http://www.myrvworks.com/manuals)

Over the years of running a mobile RV repair service, having a dedicated place to access service manuals for all the different appliances and components found on RVs was something that I always had a desire to create.

I hope this resource makes your RV repairs easier, as it has mine, but please be careful and follow proper safety practices when attempting to repair your own RV.

If in doubt, please consult with a professional RV technician!



DARREN KOEPP - OWNER, MY RV WORKS, INC.

*All service manuals provided on [www.myrvworks.com](http://www.myrvworks.com) are believed to be released for distribution and/or in the public domain.*