



Owner's Manual

For Polar 10 Series N10LX and NA10LX models: 10 cu.ft., 2-way R.V. refrigerators or with Icemaker

Any letters following the above model numbers means a refrigerator option.



FIRE OR EXPLOSION HAZARD

If you smell gas or ammonia:

1. Open Windows
2. Do not attempt to light appliance.
3. Do not touch electrical switches.
4. Extinguish any open flame
5. Shut off fuel supply.
6. Evacuate immediately and call emergency services.

Failure to follow these instructions could result in fire or explosion, which could cause property damage, personal injury, or death.



Improper installation, adjustment, alteration, service or maintenance can cause injury or property damage. Refer to this manual. For assistance or additional information, contact a qualified installer, service agency, or the gas supplier.

FOR YOUR SAFETY

Do not store or use gasoline or other flammable vapors and liquid in the vicinity of this or any other appliance.

English

Table of Contents

For defined warranty terms, please see the one page warranty statement included in the product information packet.

Safety Awareness.....	3
Safety Instructions.....	3
About Your Refrigerator.....	4
Storage volume.....	4
Leveling.....	4
Operation during travel.....	4
Food compartment.....	4
Freezer compartment.....	4
Crisper(s).....	4
Door bins.....	4
Door bin slide.....	5
Adjustable shelves.....	5
Door handles.....	6
Interior light.....	6
Shut down.....	6
Moisture reduction heater.....	6
Temperature control system.....	6
Backup operating system.....	6
Operating the Refrigerator Controls.....	7
Ignition and start up.....	7
Air in the propane gas supply line.....	7
Automatic Mode operations.....	7
Manual AC Mode operations.....	8
Manual LP Gas mode.....	8
Manual DC operations (3way refrigerator only).....	8
Shut down - All models.....	8
Effects of High Altitude on Propane Gas Operation.....	9
Effects of Freezing Temperatures on Refrigerator Operation.....	9
Ice Maker (N1LXIM and NA10LXIM models).....	9
Ice maker operation.....	9
Refrigerator Care Checklist.....	10
Defrosting.....	10
Cleaning.....	11
Interior.....	11
Drip tray.....	12
Glass shelf.....	12
Door Sealing.....	12
Refrigerator Storage.....	13
Ice Maker Storage (N109XIM and N109XIMXX models).....	13
Refrigerator Maintenance Checklist.....	14
Refrigerator Maintenance.....	15
Gas flame appearance.....	15
Remove and clean the burner orifice.....	15
Remove the Refrigerator.....	16
Reinstall the Refrigerator.....	17
Replacement Parts.....	17
Wiring Pictorial.....	18
Wiring Schematic.....	19
Fault Codes.....	20

Safety Awareness

Read this manual carefully and understand the contents before you use the refrigerator.

Be aware of possible safety hazards when you see the safety alert symbol on the refrigerator and in this manual. A signal word follows the safety alert symbol and identifies the danger of the hazard. Carefully read the descriptions of these signal words to fully know their meanings. They are for your safety.



This indication means a hazard, which if ignored, can cause dangerous personal injury, death, or much property damage.



This indication means a hazard, which if ignored, can cause small personal injury or much property damage.

Safety Instructions



- The storage of flammable materials behind or around the refrigerator creates a fire hazard. Do not use the area behind the refrigerator to store anything, especially flammable materials (gasoline, cleaning supplies, etc.)
- Do not remove the round ground prong from any of the AC power cords. Do not use a two prong adapter or an extension cord with any of the AC power cords.
- A circuit overload can result in an electrical fire if the wires and/or fuses are not the correct size. Use only the wire and fuse sizes as written in the "Installation Manual".
- Incorrect installation, adjustment, change to, or maintenance of this refrigerator can cause personal injury, property damage, or both. Have service and maintenance work done by your dealer or by an Norcold authorized service center.
- Disconnect both the AC and DC power sources before doing any maintenance work on the refrigerator. All service work on this refrigerator must be done by a qualified service technician.
- Do not bypass or change the refrigerator's electrical components or features.
- When you discard an appliance, remove all doors to prevent accidental entrapment and suffocation.
- Do not spray liquids near electrical outlets, connections, or the refrigerator components. Many liquids are electrically conductive and can cause a shock hazard, electrical shorts, and in some cases fire.
- The refrigerator cooling system is under pressure. Do not try to repair or to recharge a defective cooling system. The cooling system contains sodium chromate. The breathing of certain chromium compounds can cause cancer. The cooling system contents can cause severe skin and eye burns, and can ignite and burn with an intense flame. Do not bend, drop, weld, move, drill, puncture, or hit the cooling system.
- At regular intervals, make sure that the refrigerator flue, the burner, the vent areas, and the ventilation air pathway between the vents are completely free from any flammable material or blockage. After a period of storage, it is especially important to check these areas for any flammable material or blockage caused by animals or insects.



- The rear of the refrigerator has sharp edges and corners. To prevent cuts or abrasions when working on the refrigerator, be careful and wear cut resistant gloves.

About Your Refrigerator

Storage Volume:

This refrigerator is made for storage of foods and frozen food and for making ice.

Total capacity 9.5 cubic feet

Leveling:



The refrigerator is made to operate within 3° off level side-to-side and 6° off level front-to-back (as looking at the front of the refrigerator). Operating it at more than these limits can cause damage to the cooling system and create a risk of personal injury or property damage. Make sure the vehicle is level before you operate the refrigerator.

Operation during travel:

While the refrigerator should be level when the vehicle is stopped, performance during travel is not usually effected.

Food compartment:

Start up the refrigerator and let it cool for eight hours before loading with food. If the refrigerator does not start to cool down after eight hours, contact your dealer or a Norcold authorized service center.

For the best cooling performance:

- Let air move freely inside the entire food compartment.
- Do not cover the shelves with plastic, paper, etc.

To decrease the amount of ice that collects on the cooling fins:

- Cover all liquids and moist foods.
- Let all hot foods cool before putting them in the refrigerator.
- Do not open the door any longer than necessary.

Freezer compartment:

The freezer compartment is made to keep pre-frozen food frozen and not to quick freeze food. Keep pre-frozen foods in the freezer compartment.

NOTICE

Do not put other items on the ice tray while the water is freezing. The water freezes more rapidly if the thermostat is at the COLDEST position.

Crisper(s):

The crisper(s) are located at the bottom of the fresh food compartment and supply a storage area to preserve fruit and vegetable freshness. Make sure that you always push the crispers fully in.

NOTICE

Do not wash the crispers in a dishwasher. The crispers are not dishwasher safe.

Door bins:

You may put the door bins [52] of the freezer and fresh food compartment in a location that best meets your needs (See Art 00989). To remove the bins, lift them over the locator and pull them forward. To install the bins, push them onto the locator.

NOTICE

Do not wash the door bins and bin slides in a dishwasher. The door bins and bin slides are not dishwasher safe.

Door bin slide:

Each door bin includes an adjustable door bin slide [53] to prevent the bin contents from moving or overturning during transit (See Art 02632).

Push each door bin slide against the bin contents. To remove each door bin slide, rotate it out of the bin. Rotate each bin slide into the bin to install.

Adjustable shelves:

The shelves in the freezer and the fresh food compartment are made so you can remove them or move them.

To move or remove the wire shelf of the freezer:

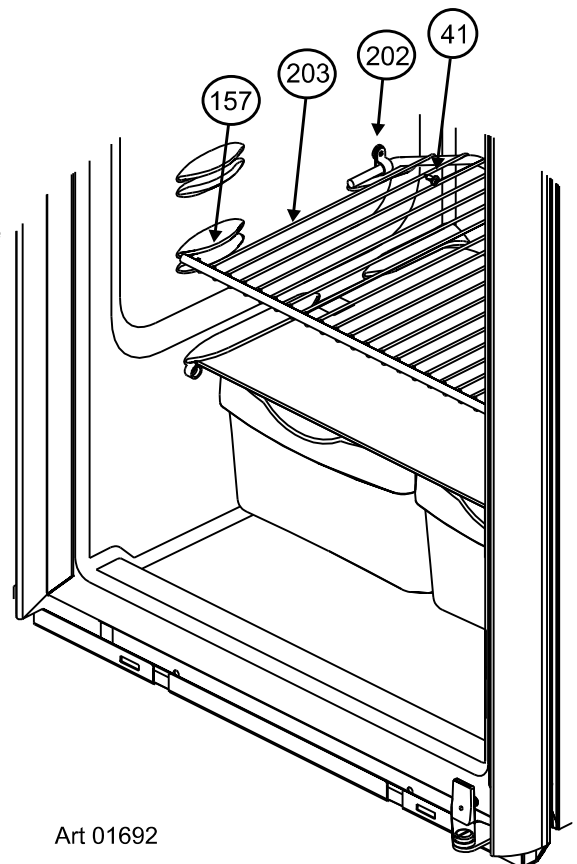
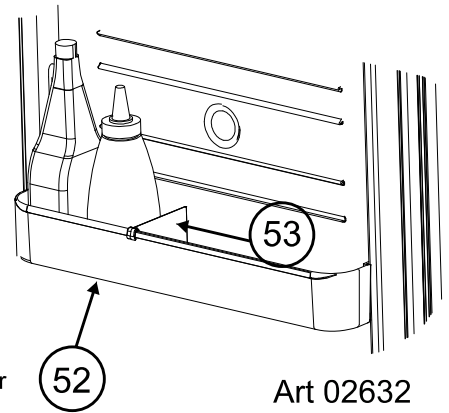
- Locate the plastic clip that is around the wire shelf.
- Remove and save the screw that attaches the plastic clip to the inside of the refrigerator cabinet.
- Lift the left side of the shelf upward to remove the shelf.
- Push the wire shelf fully into the slot that you wish.
- Put the plastic clip back in the original position on the wire shelf.
- Attach the plastic clip with the screw.

To remove or move the large shelves of the fresh food compartment:

- Locate the plastic clip [202] that is around each wire shelf [203] (See Art 01692).
- Remove and save the screw [41] that attaches the plastic clip to the inside of the refrigerator cabinet.
- Pull the shelf slightly forward to disengage the left side of the shelf from the slot [157] of the refrigerator cabinet and lift the left side of the shelf to remove the shelf.
- Put each wire shelf into the slot that you wish.
- Put the plastic clip back in the original position on each wire shelf.
- Attach the plastic clip with the screw.

To remove the small top shelf of the fresh food compartment:

- Locate the plastic clip [202] that is around the wire shelf [203] (See Art 01692).
- Remove and save the screw [41] that attaches the plastic clip to the inside of the refrigerator cabinet.
- Pull the shelf forward out of the slot [157].
- Put the wire shelf into the slot.
- Put the plastic clip back in the original position on the wire shelf.
- Attach the plastic clip with the screw.



Door handles:

During travel, the door latch prevents the door from opening. When closing each door, push the door toward the refrigerator until you hear a “click” sound.

To open each door, pull the handle away from the refrigerator (See Art 02633).

Interior light:

The interior light is at the top of the fresh food compartment. The light remains on at all times while the refrigerator is on. To replace the interior light:

Shut down:

- To shut down the refrigerator, touch and hold the ON/OFF button two seconds and release.

Unplug wire harness connector [154].

To remove interior light:

- Remove two (2) screws [41].

Install new light in reverse order.

Moisture reduction heater:

The refrigerator has a heater that prevents moisture from forming on the center divider between the doors of the freezer and the fresh food compartment. The heater operates only when the refrigerator is ON.

Temperature control system:

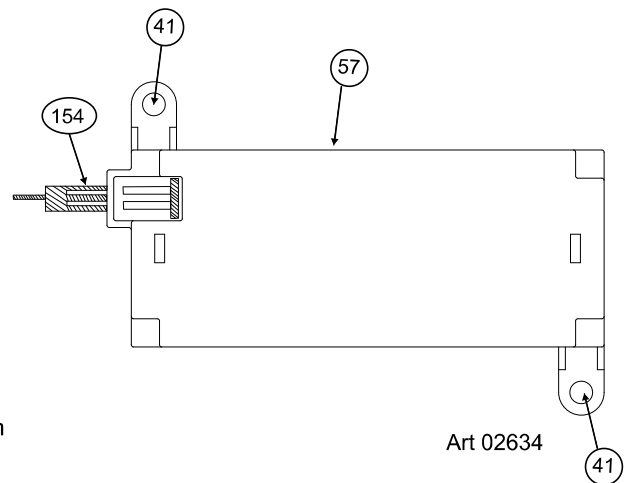
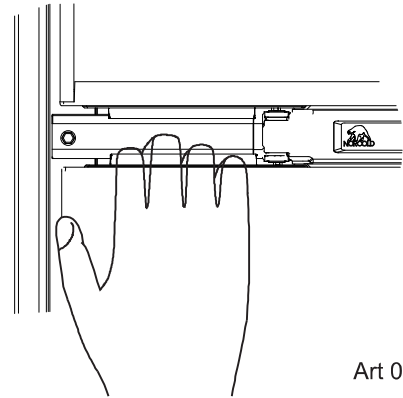
Although the refrigerator is not frost-free, it is made to limit frost on the cooling fins. At regular intervals, the temperature control system automatically melts most of the frost from the cooling fins. The water from the cooling fins drains into a collection cup that is attached to the back of the refrigerator. The heat of the cooling system evaporates the water from the collection cup.

Backup operating system:

This refrigerator has a backup operating system. The backup operating system allows the refrigerator to continue to cool if the temperature sensor of the refrigerator should fail.

If this failure occurs:

- The refrigerator automatically changes to the backup operating system.
 - When you push the TEMP SET button, the temperature setting flashes in the center display for ten seconds.
- The backup operating system can overfreeze or thaw the contents of the freezer and the fresh food compartment.
 - Make sure the temperatures of the freezer and the fresh food compartment are satisfactory.



Operating the Refrigerators Controls

Ignition and start up:

NOTICE

Control boards are extremely sensitive. Evidence of tampering or removal from protective case will VOID any warranty.

Before ignition or start up of the refrigerator:

- Make sure the air flow in the lower intake vent, through the refrigerator coils and condenser, and out the upper exhaust vent is not blocked or decreased.
- Make sure there are no combustible materials in or around the refrigerator.
- Make sure the DC voltage to the refrigerator is 12.0VDC

Air in the propane gas supply lines

NOTICE

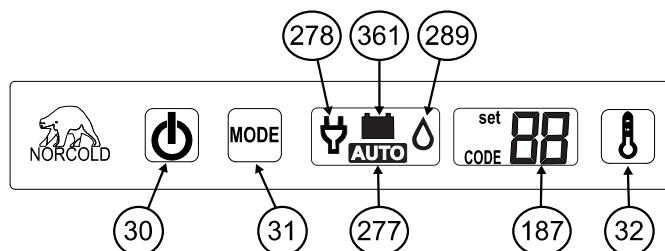
For safety reasons, the refrigerators electronic controls are designed such that while operating in the LP GAS mode, the trial for ignition (maximum amount of the time the gas valve and igniter can be left on without a flame present) is limited to 30 seconds. When starting the refrigerator for the first time, after storage, or after replacing the propane gas tank, the propane gas supply lines can have air in them.

Due to air in the gas supply lines, the burner may not ignite within the 30 second time limit. In the event this should happen the gas valve and igniter outputs will be turned off, the LP Gas mode will be "locked out", and the appropriate fault code will be shown in the display. See fault code section of this manual.

The gas lock out condition can be reset by powering the refrigerator OFF and then back ON, at which time, a new 30 second trial for ignition will commence. It may be necessary to repeat this procedure several times before expelling all the air from the LP gas supply line. If after repeated attempts, a flame is not established, stop and consult your local dealer or Authorized Norcold Service Center.

Automatic Mode Operation:

- Touch and release the ON/OFF button [30] to turn the refrigerator on. (See Art 02629).
- Touch the TEMP SET button [32] as needed to set the temperature setting.
 - Number one(1) shown in the display [187] is the warmest setting.
 - Number nine(9) shown in the display [187] is the coldest setting.
- If the AUTO icon [277] and AC PLUG icon [278] are lit up, it means that:
 - 120 volt AC power is available to the refrigerator.
 - The refrigerator is operating on AC electric power.
 - After ten seconds, the backlight of the display goes off.
- If the AUTO icon and the FLAME icon [289] are lit up, it means that:
 - 120 volt AC power is not available to the refrigerator.
 - The refrigerator is operating on propane gas.
 - After ten seconds, the backlight of the display goes off.



Art 02629

If neither 120 volts AC nor propane gas are available to the refrigerator :

- 2-way refrigerators:
 - The fault codes “no AC” and then “no FL” show in the display and an audible alarm sounds.
 - Refer to the “Fault Codes” section of this manual for any faults displayed.
- 3-way refrigerators only:
 - The Auto icon and the Battery icon [361] are lit up.
 - After ten seconds, the backlight of the display goes off
 - This means that the refrigerator is operating on DC electric.

If an energy source is available to the refrigerator but is not operating correctly:

- While operating in the Automatic mode, the refrigerators electronic controls will automatically select the energy source using the following priority scheme:
 - 1st choice: AC Electric
 - 2nd choice: LP GAS
- When in the Auto mode, if a higher priority choice becomes available (i.e., AC voltage reapplied), the control shall stop using the current mode and switch to the higher priority mode.

Manual AC Mode Operation:

- Touch and release the ON/OFF button [30] to start the refrigerator
- Touch the MODE button [31] until the AUTO icon goes off and only the AC PLUG icon [278] remains lit.
- Touch the TEMP SET button [32] as needed, to set the temperature setting.
- The AC PLUG icon [278] remains lit until you select a different operating mode or shut down the refrigerator.

Manual LP GAS Operation:

- Touch and release the ON/OFF button [30] to start the refrigerator
- Touch the MODE button [31] until the AUTO icon goes off and only the FLAME icon [289] remains lit.
- Touch the TEMP SET button [32] as needed, to set the temperature setting.
- The FLAME icon [278] remains lit until you select a different operating mode or shut down the refrigerator.

Shut down - All models:

- To shut down the refrigerator, touch and hold the ON/OFF button[30] for two seconds and release.

Effects of High Altitude on Propane Gas Operation

When you operate the refrigerator on propane gas at altitudes higher than 5500 feet above sea level:

- You may experience reduced cooling performance of the refrigerator.
- You may experience burner outages.

To avoid these possible problems, Norcold recommends that you operate the refrigerator on AC when at altitudes higher than 5500 feet above sea level.

Effects of Freezing Temperatures on Refrigerator Operation

A gas absorption refrigerator is not designed to operate in freezing temperatures. If the refrigerator is not equipped for low temperature operation, and if the cooling system of the refrigerator is exposed to temperatures of 32° F. or lower for an extended period of time, the refrigerator operation may be disrupted. The refrigerator operation will resume when the cooling system of the refrigerator warms sufficiently.

If the refrigerator is equipped for low temperature operation, the refrigerator will operate in temperatures down to 0° F.

Disrupted operation of the refrigerator, due to extended exposure to temperatures of 32° F. or lower, and any costs incurred to warm the cooling system of the refrigerator are not covered by the Norcold limited warranty. Please contact your local RV dealer for information about how to resume refrigerator operation or about how to equip your refrigerator for operation in freezing temperatures.

Do not change the installation or the venting of your refrigerator. Refrigerator failures, which are the result of changes to either the refrigerator installation or to the venting, are not covered by the Norcold limited warranty.

Ice Maker (N10LXIM, and NA10LXIM models)

The ice maker is assembled to the refrigerators at the factory as optional equipment. If the refrigerator does not have a factory installed ice maker, one can not be added to the refrigerator at a later time.

The ice maker is fully automatic and will operate in ambient temperatures as low as 0° F. To allow operation at temperatures between 0° F and 32° F, the ice maker has a heater on the solenoid water valve and on the water line between the solenoid water valve and the ice maker.



The water line heater does not protect the water supply line from the vehicle shut off valve to the solenoid water valve on the back of the refrigerator.

When the freezer temperature of the refrigerator is low enough, the ice maker opens the water solenoid valve and fills the mold. The ice maker ejects the frozen ice into a storage bin. As the storage bin fills, the ice raises the shut-off arm until it turns off the ice maker. As you use the ice and lower the ice level in the storage bin, the shut-off arm also lowers. This turns the ice maker on and begins the process of making ice.

The ice maker operates on:

- Cold potable water at a pressure of 15 psi - 125 psi.
- 120 Volts AC (108 VAC min. - 132 VAC max.).

Ice maker operation:

1. Make sure the separate (white) AC power cord which supplies AC to the ice maker is secure.
2. Open the water shut off valve of the vehicle.

NOTICE

For maximum production of ice, the freezer blower must be turned on.

NOTICE Make sure that the ice maker arm can move freely and does not touch the frozen foods in the freezer.

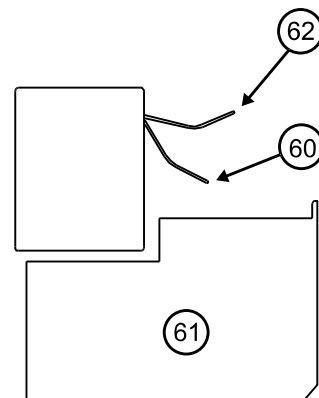
3. Push the ice maker arm down to the ON position [50] (See Art 01015).

CAUTION If you operate the refrigerator without connecting the water supply line and/or opening the water shut off valve of the vehicle, make sure the ice maker arm is up in the OFF position.

4. Allow the freezer to cool enough and ice production will begin to fill the storage bin [61].

NOTICE New plumbing connections and/or impurities in the water supply line after winterizing can cause the first ice to be discolored or have an odd flavor.

5. To stop the ice maker, push the ice maker arm up to the OFF position [62].



Art 01015

Refrigerator Care Checklist

Your refrigerator will give you years of trouble free service if you do these simple checks every three to six months:

- Keep the food compartment and the freezer clean. See "Cleaning".
- Defrost the refrigerator as necessary. See "Defrosting".
- Make sure the door seals correctly. See "Door Sealing".
- Be aware of any cooling changes that are not because of weather, loading, or gas control changes. If changes occur, contact your dealer or service center.
- Make sure the gas supply is propane gas only and not butane or a butane mixture.
- When in propane gas operation, examine the appearance of the flame. See "Gas Flame Appearance".
- Make sure the air flow in the lower intake vent, through the refrigerator coils and condenser, and out the upper exhaust vent is not blocked or decreased.
- Make sure the area behind the refrigerator is clear. Do not use the area behind the refrigerator for storage of anything, especially gasoline and other flammable vapors and liquids.

Defrosting

The cooling fins of the refrigerator operate at below freezing temperature and will naturally form frost from humidity, which is always present in the air. The humidity inside the refrigerator increases:

- with higher outside temperature and humidity.
- with the storage of non-sealed fresh foods or warm foods.
- with the amount of time that the door(s) are open.
- with any air leakage into the refrigerator.

Although the refrigerator is not frost-free, it is made to limit frost on the cooling fins. At regular intervals, the temperature control system automatically melts most of the frost from the cooling fins. The water from the cooling fins drains into a collection cup that is attached to the back of the refrigerator. The heat of the cooling system evaporates the water from the collection cup.

It is normal for frost to collect inside the freezer. Excess frost decreases the cooling performance of the refrigerator. Defrost the refrigerator and freezer as necessary:

- Remove all food from the refrigerator.
- Turn the refrigerator OFF.

NOTICE *Defrosting the refrigerator makes excess water inside the refrigerator.*

- Remove the drain hose from the drip cup at the rear of the refrigerator.
- Put the drain hose into a half-gallon or larger container to capture water.
- Put dry towels (etc.) inside the refrigerator and freezer to absorb melted frost.

CAUTION **High temperatures can cause the inside surfaces of the refrigerator to warp or melt. Do not use pans of HOT water, a hair dryer, or any other high temperature devices to defrost the refrigerator. Do not use any hard or sharp objects to remove frost. Damage to the interior of the refrigerator can occur.**

- To increase the speed of defrosting, put pans of WARM water in the refrigerator and freezer.
- Remove the wet towels (etc.) and dry the interior.
- Remove the drain hose from the large container and put the drain hose back into the drip cup.
- Remove the large container from the enclosure.
- Start up the refrigerator.
- Allow the refrigerator to cool down.
- Return all food to the refrigerator.

Cleaning

Interior:

A good time to clean the refrigerator is just after you defrost it. Clean the inside of the refrigerator as often as necessary to avoid food odors:

- Remove all food from the refrigerator.

NOTICE *Do not use abrasive cleaners, chemicals, or scouring pads because they can damage the interior of the refrigerator.*

- Wash the interior with a mild cleaner or a solution of liquid dish detergent and warm water.
- Rinse with a solution of baking soda and clean water.
- Dry with clean cloth.
- Put all food in the refrigerator.

Drip tray:

To remove and clean the drip tray:

NOTICE Do not wash the drip tray in a dishwasher. The drip tray is not dishwasher safe.

- Pull the drip tray out of the drain hose.
- Pull the drip tray forward to remove from the slots in the refrigerator cabinet.
- Clean the drip tray.
- Push the drip tray back into the slots in the refrigerator cabinet.
- Push the drip tray back into the drain hose.

Glass shelf:

To clean the glass shelf:

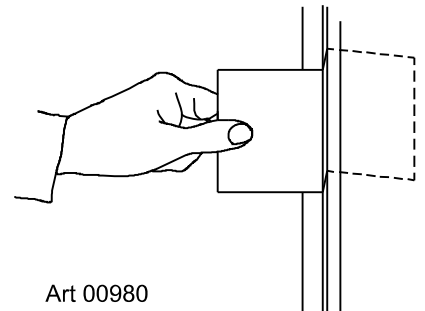
- Remove the screw and grommet that is in front of the glass shelf.
- Pull the glass shelf forward out of the slot
- After cleaning, push the glass shelf fully into the slot.
- Put the screw and grommet back in the original position.

Door Sealing

Check the seal of the doors.

If either door does not seal correctly, excess frost will collect inside the refrigerator. Make sure the doors seal correctly (See Art 00980):

- Close each door on a piece of paper that is about the size and thickness of a dollar bill.
- Gently pull the paper.
 - You should feel a slight drag between the gasket and the cabinet.
 - Do this on all four sides of the door.
 - If you do not feel a slight drag on the paper, the door does not seal correctly.
 - Have your dealer or an authorized Norcold Service Center correct the seal of the door.



Refrigerator Storage

Before the refrigerator is stored for an extended (seasonal) period of time:

- Defrost and clean the interior of the refrigerator.
- Close the doors with the storage latch.

If the refrigerator is stored for an extended period of time, before start up:

- Make sure there are no obstructions in the vents, the ventilation air pathway, the burner, the orifice, or the flue area.

Ice Maker Storage (N10LXIM, and NA10LXIM models)

To prepare the ice maker for seasonal storage:

1. Close the vehicle water supply valve to the ice maker.
2. Push the ice maker arm up until it locks into the OFF position.
3. Remove the garden hose adapter from the water solenoid valve.
4. Remove the ice maker water line from the water solenoid valve
 - Do not unwrap the water line heater wires from around the water solenoid valve.
5. Drain all of the water from both the water supply line and the ice maker water line.
6. Put the end of the water supply line, the end of the ice maker water line, and the water solenoid valve each into a clean plastic bag.
7. Use tape to close each plastic bag around the water lines and the water solenoid valve.

To use the ice maker after seasonal storage:



Do not operate the ice maker when the ambient air temperature is 0° F. or lower. Damage to the water solenoid valve and the water supply line can occur.

1. Remove the tape and plastic bags from the end of the water supply line, the end of the ice maker water line, and the water solenoid valve.
2. Connect the ice maker water line to the water solenoid valve.
3. Connect the garden hose adapter to the water solenoid valve.
4. Push the ice maker arm down into the ON position.
5. Open the vehicle water supply valve to the ice maker.

NOTICE

You should discard and not use the first two batches of ice cubes. It will take about three cycles for the ice maker to make fully formed and clean ice cubes.

Refrigerator Maintenance Checklist

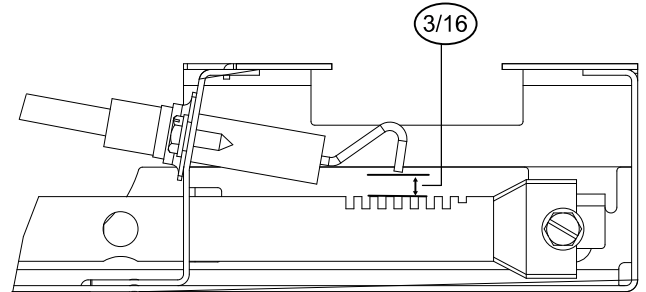
Read and understand the following maintenance sections of this manual.

NOTICE

Norcold is not responsible for installation, adjustment, alteration, service, or maintenance performed by anyone other than a qualified RV dealer or a Norcold authorized service center.

Have a qualified RV dealer or a Norcold authorized service center do these annual safety and maintenance checks:

- Examine the gas supply lines for leaks.
 - Replace or repair if needed.
- Make sure the propane gas pressure is 11 inches of water column.
 - Adjust if needed.
- Make sure the combustion seal is complete and intact.
 - Replace or repair it if needed.
- Make sure the burner and the burner orifice are clean.
 - Clean if needed.
- Make sure the electrode is clean and that the spark gap is 3/16 inch.
(See Art 02673)
 - Adjust if needed.
- Make sure the AC voltage is 108 - 132 volts and the DC voltage is 10.5 - 15.4 volts.
- Make sure the area at the rear of the refrigerator is free of any combustible materials, gasoline, and other flammable vapors and liquids.



Art 02673

Refrigerator Maintenance

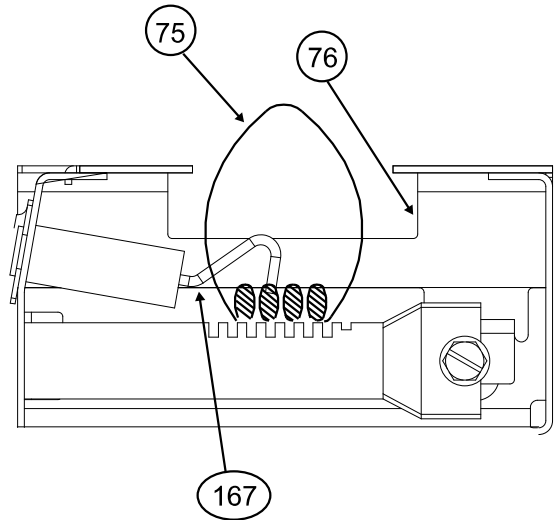
While in GAS operation, examine the appearance of the gas flame:

- Open the lower intake vent.



The burner box door can be hot. Wear gloves to avoid burns.

- Open viewing door.
- Look at the gas flame [75] (See Art 02684).
 - The flame should be:
 - A darker blue color on the inside of the flame and a lighter blue color on the outside of the flame.
 - A constant shape without flickering.
 - Contact your dealer or Norcold authorized service center if the flame is:
 - yellow
 - flickering or changing shape.
 - Make sure the flame does not touch the inside of the flue tube [76].
 - If the flame touches the inside of the flue tube, contact your dealer or Norcold authorized service center.
- Close the burner box door.



Art 02684

Remove and clean the burner orifice:

Your dealer or Norcold authorized service center must do this procedure.

Remove and clean the burner orifice:

- Close the valve at the propane gas tank(s).
- Push the ON / OFF button to shut down the refrigerator.
- Open the lower intake vent to expose the back of the refrigerator.



The burner box cover can be hot. Wear gloves to avoid burns.

- Disconnect the the Gas Train Assembly (GTA) from the LP supply.

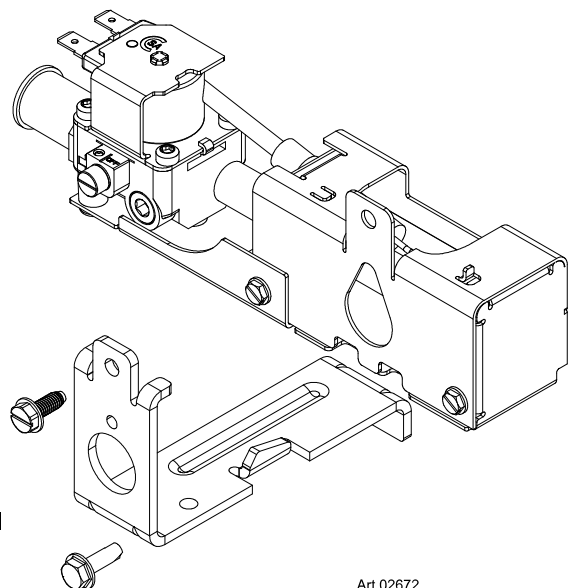


To avoid possible propane gas leaks, always use two wrenches to loosen and tighten the gas supply line connections.

- Remove the Gas Train Assembly from the cooling unit by removing the two screws. (See Art 02672)

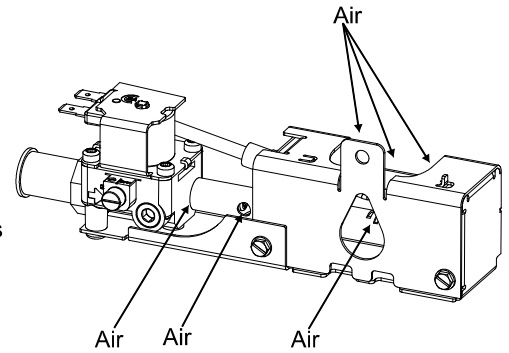


Do not try to remove the orifice from the orifice adapter when cleaning. Removal will damage the orifice and seal of the orifice and can cause a propane gas leak. Leaking propane gas can ignite or explode which can result in dangerous personal injury or death. Do not clean the orifice with a pin or other objects.



Art 02672

- Clean the openings of the burner tube with compressed air pressure only (See Art 02671)
- Assemble the gas train assembly back to the cooling unit and tighten the two screws removed.
- Assemble the gas supply to the gas train assembly and tighten using two wrenches.
- Open the valve at the supply gas tank(s) and turn on the refrigerator choosing gas as the power source.
- Check all connections for gas leaks using leak test solution.
- Replace lower intake vent.



Art 02671

Remove the Refrigerator

Your dealer or Norcold authorized service center must do this procedure.



The rear of the refrigerator has sharp edges and corners. To prevent cuts or abrasions when working on the refrigerator, be careful and wear cut resistant gloves.

1. Close the valve at the propane gas tank(s).



To avoid possible propane gas leaks, always use two wrenches to loosen and tighten the gas supply line connections.

2. Remove the black AC power cord and the white ice maker AC power cord (N10LXIM and NA10LXIM models only) from the receptacle.
3. Remove the DC wiring from the refrigerator:
 - Put a mark on the DC wires so you can put them back in the correct location.
 - Remove the DC fuse or remove the DC wiring from the battery or the converter.
 - Remove the DC wires from the refrigerator.
4. Open the lower intake vent and remove the gas supply line from the combination gas valve of the refrigerator.
5. Remove the garden hose adapter from the water solenoid valve (N10LXIM and NA10LXIM models only).
6. Remove the screws from the mounting flange at the rear of the refrigerator.
7. Remove the upper and lower trim pieces from the mounting flanges of the refrigerator.
8. Remove the screws from the upper and lower mounting flanges on the front of the refrigerator.
9. Remove the refrigerator from the opening.

Reinstall the Refrigerator

Your dealer or Norcold authorized service center must do this procedure.



Make sure the combustion seal is not broken, is completely around the refrigerator mounting flanges, and is between the mounting flanges and the wall of the enclosure. If the combustion seal is not complete, exhaust fumes can be present in the living area of the vehicle. The breathing of exhaust fumes can cause dizziness, nausea, and in extreme cases, death.

1. Push the refrigerator completely into the enclosure.
2. Install the screws in the upper and then the lower mounting flanges on the front of the refrigerator.
3. Install the upper and lower trim pieces to the mounting flanges of the refrigerator.
4. Install the screws in the mounting flange at the rear of the refrigerator.



To avoid possible propane gas leaks, always use two wrenches to loosen and tighten the gas supply line connections.

5. Attach the garden hose adapter to the water solenoid valve (N10LXIM and NA10LXIM models only).
6. Attach the gas supply line to the combination gas valve of the refrigerator.
7. Open the valve at the propane gas tank(s).

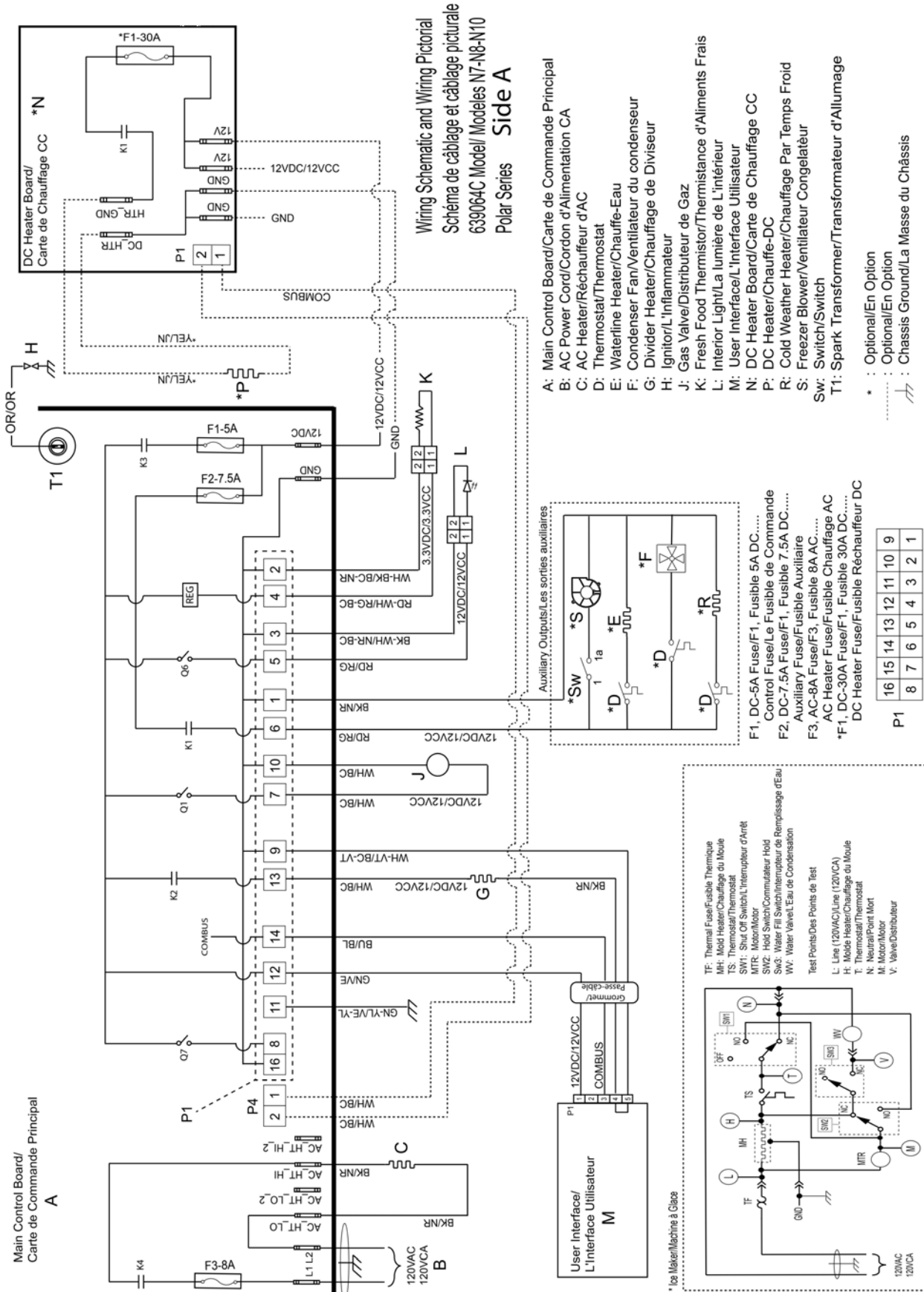


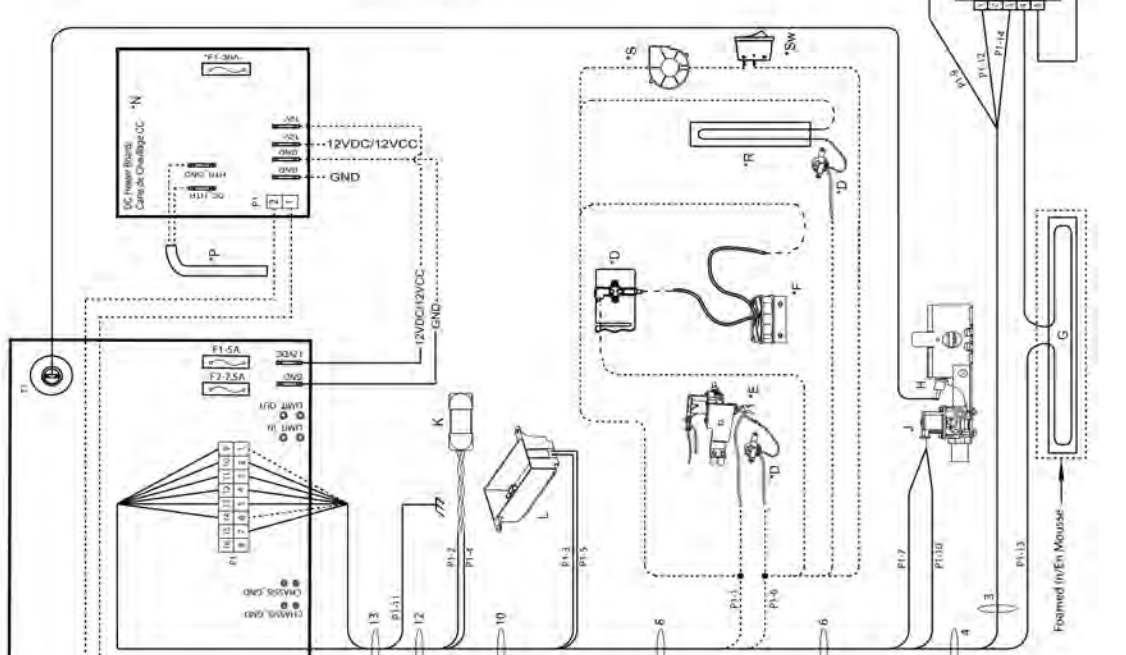
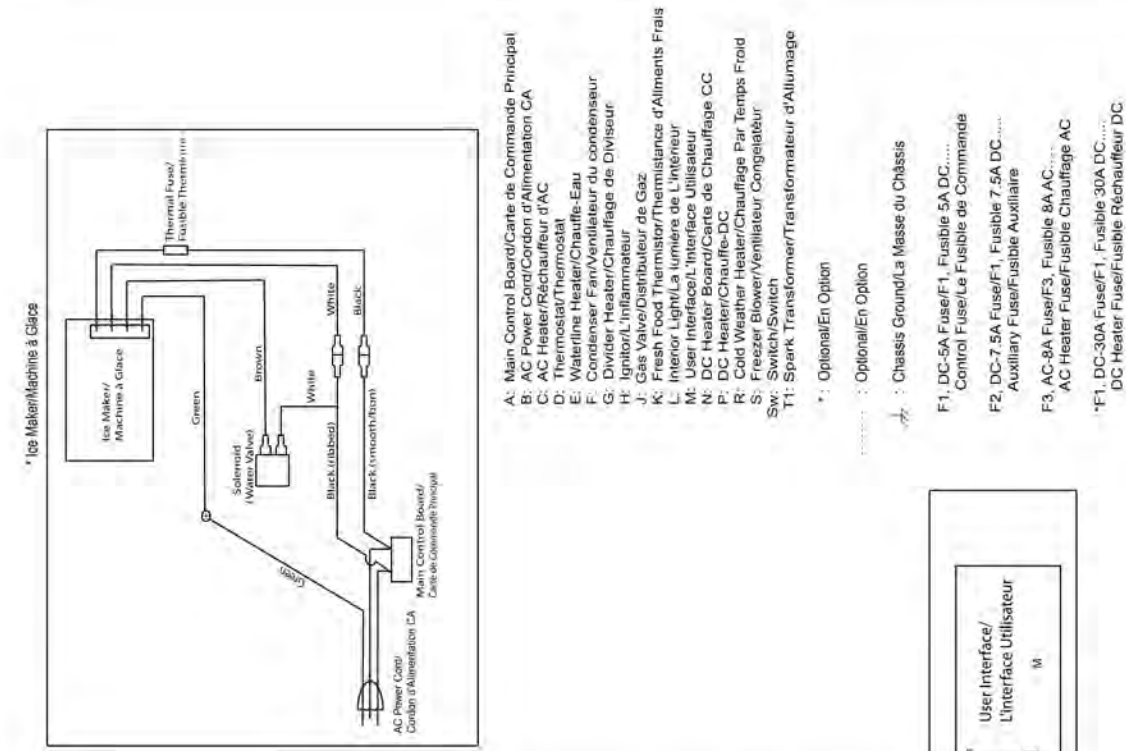
Do not allow the leak checking solution to touch the electrical components. Many liquids are electrically conductive and can cause electrical shorts and in some cases, fire.

8. Examine the gas supply line for leaks.
9. Connect the DC wiring to the refrigerator:
 - Connect the DC wires to the refrigerator.
 - Install the DC fuse or connect the DC wiring to the battery or the converter.
10. Connect the black AC power cord and the white ice maker AC power cord (N109XIM and N109XIMXX models only) to the receptacle.

Replacement Parts

You may purchase replacement parts through your local RV dealer or authorized Norcold Service Center.





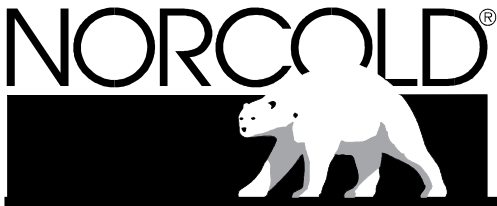
- A: Main Control Board/Carte de Commande Principale
- B: AC Power Cord/Cordon d'Alimentation CA
- C: AC Heater/Réchauffeur d'AC
- D: Thermostat/Thermostat
- E: Waterline Heater/Chauffe-Eau
- F: Condenser Fan/Ventilateur du condensateur
- G: Divider Heater/Chauffage de Diviseur
- H: Ignitor/L'Inflammeur
- J: Gas Valve/Distributeur de Gaz
- K: Fresh Food Thermistor/Thermistance d'Aliments Frais
- L: Interior Light/La lumière de L'intérieur
- M: User Interface/L'interface Utilisateur
- N: DC Heater Board/Carte de Chauffage CC
- P: DC Heater/Chauffe-DC
- R: Cold Weather Heater/Ventilateur Par Temps Froid
- S: Freezer Blower/Ventilateur Congélateur
- Sw: Switch/Switch
- T1: Spark Transformer/Transformateur d'Allumage

- *: Optional/En Option
- : Optional/En Option
- : Chassis Ground/La Masse du Châssis
- F1, DC-5A Fuse/F1, Fusible 5A DC..... Control Fuse/Le Fusible de Commande
- F2, DC-7.5A Fuse/F1, Fusible 7.5A DC..... Auxiliary Fuse/Fusible Auxiliaire
- F3, AC-8A Fuse/F3, Fusible 8A AC..... AC Heater Fuse/Fusible Chauffage AC
- *F1, DC-30A Fuse/F1, Fusible 30A DC..... DC Heater Fuse/Fusible Réchauffeur DC

Wiring Schematic and Wiring Pictorial
 Schéma de câblage et câblage picturale
 639064C Model/ Modèles N7-N8-N10
 Polar Series Side B

Fault Codes(All N10LX and NA10LX models)

Fault codes	Fault Code Meanings	Corrective Actions
Alternately flashes "no" "FL" with an audible alarm	The burner did not ignite or re-ignite.	Turn the refrigerator power OFF and then back ON to reset. Check: - That the valve of the propane gas tank(s) is open - That the propane gas is at the correct pressure - That the manual shut off valve of the refrigerator gas valve is open - That there is no air in the propane gas supply line - Please see your dealer or authorized Norcold Service Center
Alternately flashes "no" "AC" with an audible alarm	AC voltage is not available to the refrigerator.	Turn the refrigerator power OFF and then back ON to reset. Check: - That the refrigerator is plugged into a serviceable outlet - That the fuse or circuit breaker of the vehicle is intact - That the vehicle generator is operational (if applicable) - Please see your dealer or authorized Norcold Service Center
Alternately flashes "AC" "HE" with an audible alarm	This fault indicates a problem relating to the AC heater.	This is not owner serviceable. Please see your dealer or authorized Norcold Service Center.
Alternately flashes "AC" "rE" with an audible alarm	This fault is within the refrigerator controls.	This is not owner serviceable. Please see your dealer or authorized Norcold Service Center.
Alternately flashes "Lo" "dc"	These faults indicate the DC input voltage to the refrigerator is too low.	Check: - That the battery charging equipment of the vehicle is operational - That the AC/DC converter is operational (if applicable) - Please see your dealer or authorized Norcold Service Center
Alternately flashes "Lo" "dc" with an audible alarm		
Alternately flashes "Lo" "dC" with an audible alarm.		
Alternately flashes "HI" "dc" with an audible alarm.	This fault indicates the DC input voltage to the refrigerator is too high.	Turn the refrigerator power OFF and then back ON to reset. Check: - That the battery charging equipment of the vehicle is operational - That the AC/DC converter is operational (if applicable) - Please see your dealer or authorized Norcold Service Center
Alternately flashes "no" "dt" with an audible alarm.	This fault indicates a loss of communication between the refrigerator controls.	Turn the refrigerator OFF and then back ON to reset. If the fault code continues, please see your dealer or authorized Norcold Service Center.
Displays "Sr" with an audible alarm.	This fault is within the refrigerator electronic controls.	Turn the refrigerator OFF and then back ON to reset. If the fault code continues, please see your dealer or authorized Norcold Service Center.
Alternately flashes "oP" "LI" with an audible alarm.	This fault is within the refrigerator electronic controls.	Turn the refrigerator OFF and then back ON to reset. If the fault code continues, please see your dealer or authorized Norcold Service Center.
Alternately flashes "FL" "- ." with an audible alarm.	This fault indicates a flame is sensed at the burner when there should be none present.	This is not owner serviceable. Please see your dealer or authorized Norcold Service Center.
Temperature setting flashes on/off at one (1) second intervals anytime the user interface (control) is "awake"	The thermistor has been sensed as inoperable, so the temperature is being controlled via backup operating system.	This is not owner serviceable. Please see your dealer or authorized Norcold Service Center.
Blank display	The refrigerator is off or refrigerator will not turn on.	Turn the refrigerator power ON Check: - That the battery charging equipment of the vehicle is operational - That the AC/DC converter is operational (if applicable) - Please see your dealer or authorized Norcold Service Center



Manuel d'utilisation

Pour les modèles N10LX et NA10LX de la série Polar 10 : réfrigérateurs de 10 pieds cubes, à double alimentation, pour caravanes ou avec machine à glaçons.

Les lettres suivant les numéros de modèle ci-dessus désignent une option du réfrigérateur.

AVERTISSEMENT RISQUE D'INCENDIE OU D'EXPLOSION

S'il y a une odeur de gaz ou d'ammoniaque :

1. Ouvrir les fenêtres.
2. Ne pas tenter d'allumer des appareils.
3. Ne pas toucher aux interrupteurs électriques.
4. Éteindre toute flamme nue.
5. Fermer l'arrivée de gaz.
6. Évacuer immédiatement et appeler les services d'urgence.

Le non-respect de ces instructions pourrait entraîner un incendie ou une explosion, ce qui pourrait causer des dommages matériels, des blessures ou le décès.

AVERTISSEMENT Une faute d'installation, de réglage, de modification, de réparation ou d'entretien peut causer des préjudices corporels ou matériels. Se reporter à ce manuel. Pour obtenir de l'assistance ou des informations supplémentaires, s'adresser à un installateur qualifié, au service après-vente ou à la compagnie de gaz.

SÉCURITÉ PERSONNELLE

Ne pas conserver ni utiliser d'essence ou d'autres liquides inflammables, ou dont les vapeurs peuvent s'enflammer, à proximité de cet appareil ou de tout autre appareil électroménager.

Français

Table des matières

Pour s'informer des conditions de garantie, se reporter à la page de l'énoncé de garantie qui se trouve dans la documentation relative au produit.

Signalisation de la sécurité.....	3
Consignes relatives à la sécurité.....	3
Le réfrigérateur.....	4
Volume d'entreposage.....	4
Mise à niveau.....	4
Fonctionnement en cours de déplacement.....	4
Compartiment pour les aliments.....	4
Compartiment congélateur.....	4
Bac(s) à légumes.....	4
Bacs des portes.....	4
Glissière de bac de porte.....	5
Clayettes réglables.....	5
Poignées de porte.....	6
Éclairage intérieur.....	6
Mise à l'arrêt.....	6
Chauffages de réduction d'humidité.....	6
Système de commande de température.....	6
Système de fonctionnement de secours.....	6
Utilisation des commandes du réfrigérateur.....	7
Allumage et mise en marche.....	7
Air dans les tuyaux d'arrivée de gaz propane.....	7
Fonctionnement en mode automatique.....	7
Fonctionnement en mode manuel c.a.....	8
Fonctionnement en mode manuel GPL.....	8
Fonctionnement en mode manuel c.c. (réfrigérateurs triple alimentation uniquement).....	8
Mise à l'arrêt - Tous les modèles.....	8
Effets de l'altitude élevée sur le fonctionnement au gaz propane.....	9
Effets des températures de gel sur le fonctionnement du réfrigérateur.....	9
Machine à glaçons (modèles N1LXIM et NA10LXIM).....	9
Fonctionnement de la machine à glaçons.....	9
Liste de contrôle de l'état du réfrigérateur.....	10
Dégivrage.....	10
Nettoyage.....	11
Intérieur.....	11
Plateau de dégivrage.....	12
Clayette en verre.....	12
Fermeture étanche de la porte.....	12
Entreposage du réfrigérateur.....	13
Entreposage de la machine à glaçons (modèles N109XIM et N109XIMXX).....	13
Liste de contrôle de l'entretien du réfrigérateur.....	14
Entretien du réfrigérateur.....	15
Apparition de flamme de gaz.....	15
Retrait et nettoyage de la buse du brûleur.....	15
Retrait du réfrigérateur.....	16
Réinstallation du réfrigérateur.....	17
Pièces de rechange.....	17
Câblage pictural.....	18
Schéma de câblage.....	19
Codes d'anomalie.....	20

Signalisation de la sécurité

Lire soigneusement ce manuel et en assimiler le contenu avant d'utiliser le réfrigérateur.

Prendre conscience des risques pour la sécurité signalés par le symbole de mise en garde sur le réfrigérateur et dans ce manuel. Le symbole d'alerte de sécurité est suivi d'un terme précisant la nature du risque en question. Lire soigneusement la description de ces termes de signalement pour apprendre à les différencier. C'est une question de sécurité personnelle.



AVERTISSEMENT Cette indication indique un danger qui, s'il n'est pas pris en compte, peut causer une blessure grave, la mort ou d'importants dégâts matériels.



ATTENTION Cette indication indique un danger qui, s'il n'est pas pris en compte, peut causer une blessure mineure ou d'importants dégâts matériels.

Consignes relatives à la sécurité



- Le rangement de produits inflammables derrière le réfrigérateur ou autour de celui-ci génère un danger d'incendie. Ne pas utiliser l'espace derrière le réfrigérateur pour ranger quoi que ce soit, en particulier les matériaux inflammables (essence, produits de nettoyage, etc.)
- Ne pas retirer le contact de terre rond des cordons d'alimentation c.a. Ne pas utiliser un adaptateur à deux lames ou une rallonge avec les cordons d'alimentation c.a.
- Si les fils et (ou) les fusibles ne sont pas de la taille correcte, l'installation électrique peut prendre feu sous l'effet de la surcharge du circuit. Utiliser uniquement les fils et fusibles de la taille indiquée dans le « Manuel d'installation ».
- Une faute d'installation, de réglage, de modification ou d'entretien de ce réfrigérateur peut causer des préjudices corporels et (ou) matériels. En confier la réparation et l'entretien au revendeur ou à un centre de service après-vente agréé Norcold.
- Débrancher les sources d'alimentation en c.a. et c.c. avant d'intervenir sur le réfrigérateur. Toute opération d'entretien ou de réparation sur ce réfrigérateur doit être effectuée par un technicien qualifié.
- Ne pas contourner ou modifier les composants ou fonctions électriques du réfrigérateur.
- Lors de la mise au rebut d'un appareil électroménager, enlever toutes les portes pour éviter que quelqu'un s'enferme dedans et suffoque.
- Ne pas vaporiser de liquides près des prises électriques, des raccords ou des pièces du réfrigérateur. Nombre de liquides sont conducteurs et peuvent causer des risques de décharge électrique, de court-circuit, voire même d'incendie.
- Le système frigorifique du réfrigérateur est sous pression. Ne pas essayer de réparer ou recharger un système frigorifique défectueux. Le système frigorifique contient du chromate de sodium. L'inhalation de certains composés du chrome peut causer le cancer. Le système frigorifique contient des produits chimiques qui peuvent causer de graves brûlures à la peau et aux yeux, s'enflammer et brûler avec une flamme intense. Ne pas recourber, faire tomber, souder, déplacer, percer, perforer ou heurter le système frigorifique.
- S'assurer régulièrement de l'absence totale de matériaux inflammables et d'obstructions aux conduits des gaz de combustion, brûleur, bouches de ventilation et passages d'air de ventilation du réfrigérateur. Après un certain temps d'entreposage, il est particulièrement important de vérifier ces endroits pour repérer tout matériau inflammable ou toute obstruction causée par des animaux ou des insectes.



- L'arrière du réfrigérateur présente des arêtes vives et des angles coupants. Pour éviter de se couper ou de s'écorcher lors du travail sur le réfrigérateur, faire attention et porter des gants résistant aux coupures.

Le réfrigérateur

Volume d'entreposage :

Ce réfrigérateur est conçu pour l'entreposage d'aliments frais et congelés, ainsi que la fabrication de glaçons.

Capacité totale 9,5 pieds cubes

Mise à niveau :



Le réfrigérateur est conçu pour fonctionner avec une tolérance d'inclinaison de 3° dans l'axe latéral et de 6° dans l'axe longitudinal (vu de l'avant du réfrigérateur). S'il est plus incliné que cela durant son fonctionnement, cela pose des risques de préjudices corporels ou matériels, notamment au système frigorifique. S'assurer que le véhicule est de niveau avant de mettre le réfrigérateur en route.

Fonctionnement en cours de déplacement :

Alors que le réfrigérateur doit être à niveau quand le véhicule est arrêté, sa performance en cours de déplacement n'est généralement pas affectée.

Compartment pour les aliments :

Mettre le réfrigérateur en marche et le laisser refroidir pendant huit heures avant d'y placer des aliments. Si le réfrigérateur ne commence pas à baisser de température au bout de huit heures, s'enquérir auprès du concessionnaire ou du centre de service après-vente agréé Norcold.

Pour optimiser le refroidissement :

- Laisser l'air s'écouler librement dans tout le compartiment pour aliments.
- Ne pas recouvrir les clayettes de plastique, papier, etc.

Pour minimiser la formation de gel sur les ailettes de refroidissement :

- Couvrir tous les liquides et aliments humides.
- Laisser tous les aliments chauds refroidir avant de les placer dans le réfrigérateur.
- Ne pas laisser la porte ouverte plus que nécessaire.

Compartment congélateur :

Le compartiment congélateur est fait pour le maintien à l'état congelé des aliments pré-congelés mais pas pour la surgélation d'aliments. Garder les aliments pré-congelés dans le compartiment congélateur.



Ne pas mettre d'autres articles sur le bac à glace pendant la formation des glaçons. L'eau gèle plus rapidement si le thermostat est à la position de température LA PLUS FROIDE.

Bac(s) à légumes :

Les bacs à légumes se trouvent au bas du compartiment des denrées fraîches et fournissent une surface d'entreposage pour conserver la fraîcheur des fruits et des légumes. Vérifier que les bacs à légumes sont toujours enfoncés à fond.



Ne pas laver les bacs à légumes dans un lave-vaisselle. Ils ne sont pas prévus à cet effet.

Bacs des portes :

Il est possible de mettre les bacs de porte [52] du congélateur et du compartiment de denrées fraîches dans un endroit qui correspond le mieux aux besoins (voir Art. 00989). Pour sortir les bacs, les soulever au-dessus du localisateur et les tirer vers l'avant. Pour installer les bacs, les pousser sur le localisateur.



Ne pas laver les bacs de porte ni leurs glissières dans un lave-vaisselle. Ils ne sont pas prévus à cet effet.

Glissière de bac de porte :

Chaque bac de porte comprend une glissière réglable de bac de porte [53] afin d'éviter que son contenu ne se déplace ou ne se renverse pendant le transport (voir Art. 02632).

Pousser chaque glissière de bac de porte contre son contenu. Pour enlever chaque glissière de bac de porte, il suffit de la sortir du bac en la faisant pivoter. Faire pivoter chaque glissière de bac de porte dans le bac pour l'installation.

Clayettes réglables :

Les clayettes du congélateur et du compartiment de denrées fraîches sont fabriquées de manière à ce qu'elles puissent être sorties ou déplacées.

Pour déplacer ou sortir les clayettes du congélateur :

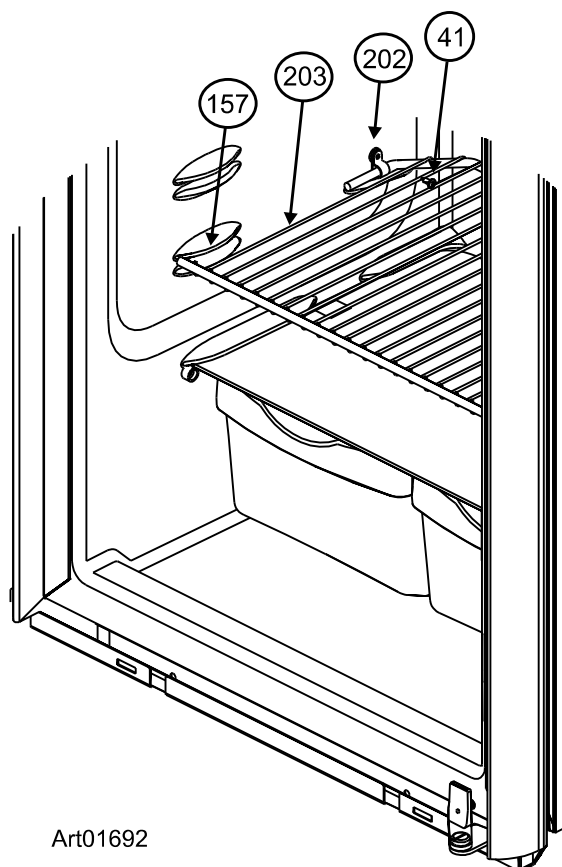
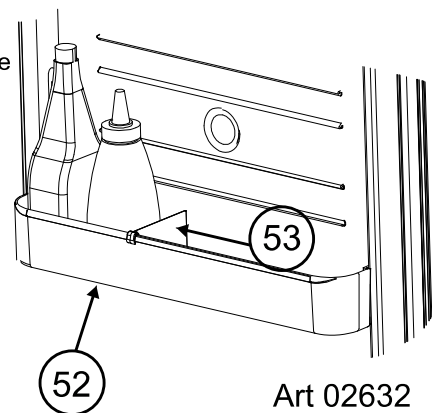
- Localiser l'agrafe en plastique qui se trouve autour de la clayette métallique.
- Retirer et conserver la vis qui retient l'agrafe en plastique à l'intérieur de la caisse du réfrigérateur.
- Soulever le côté gauche de la clayette vers le haut pour la sortir.
- Enfoncer complètement la clayette dans le logement voulu.
- Remettre l'agrafe en plastique en place dans sa position d'origine sur la clayette métallique.
- Fixer l'agrafe en plastique à l'aide de la vis.

Pour sortir ou déplacer les grandes clayettes du compartiment de denrées fraîches :

- Localiser l'agrafe en plastique [202] qui se trouve autour de chaque clayette métallique [203] (voir Art. 01692).
- Retirer et conserver la vis [41] qui retient l'agrafe en plastique à l'intérieur de la caisse du réfrigérateur.
- Tirer légèrement la clayette vers l'avant afin d'en dégager le côté gauche du logement [157] de la caisse du réfrigérateur, puis soulever le côté gauche de la clayette pour la sortir.
- Mettre chaque clayette métallique dans le logement voulu.
- Remettre l'agrafe en plastique en place dans sa position d'origine sur chaque clayette métallique.
- Fixer l'agrafe en plastique à l'aide de la vis.

Pour sortir la petite clayette supérieure du compartiment de denrées fraîches :

- Localiser l'agrafe en plastique [202] qui se trouve autour de la clayette métallique [203] (voir Art. 01692).
- Retirer et conserver la vis [41] qui retient l'agrafe en plastique à l'intérieur de la caisse du réfrigérateur.
- Tirer la clayette vers l'avant pour la faire sortir du logement [157].
- Mettre la clayette métallique dans le logement.
- Remettre l'agrafe en plastique en place dans sa position d'origine sur la clayette métallique.
- Fixer l'agrafe en plastique à l'aide de la vis.



Poignées de porte :

Pendant le voyage, le loquet empêche l'ouverture de la porte. Lors de la fermeture de chaque porte, la pousser vers le réfrigérateur jusqu'à ce qu'un déclic se fasse entendre.

Pour ouvrir chaque porte, tirer sur la poignée du réfrigérateur (voir Art. 02633).

Éclairage intérieur :

La lumière intérieure se trouve en haut du compartiment de denrées fraîches. La lumière est permanente pendant le fonctionnement du réfrigérateur. Pour remplacer la lumière intérieure :

Mise à l'arrêt :

- Pour éteindre le réfrigérateur, appuyer sur le bouton ON/OFF (marche/arrêt) et le maintenir enfoncé pendant deux secondes et relâcher.

Débrancher le connecteur du faisceau de câbles [154].

Pour retirer la lumière intérieure :

- Retirer deux (2) vis [41].

Installer une nouvelle lumière dans l'ordre inverse.

Chauffage de réduction d'humidité :

Le réfrigérateur comporte un chauffage empêchant l'humidité de se former sur le séparateur central entre les portes du congélateur et du compartiment de denrées fraîches. Le chauffage fonctionne uniquement lorsque le réfrigérateur est en marche (ON).

Système de commande de température :

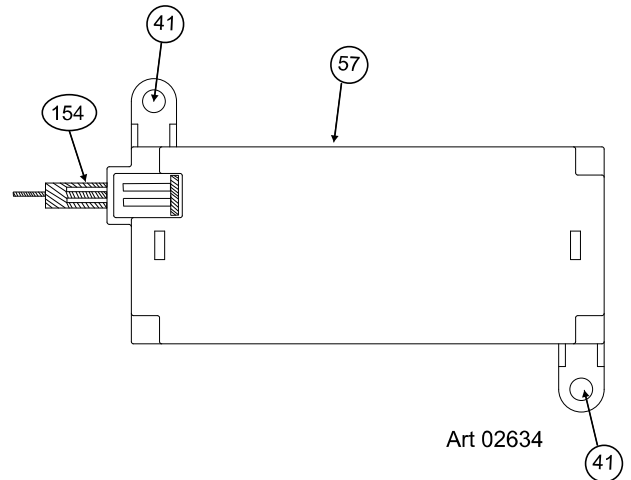
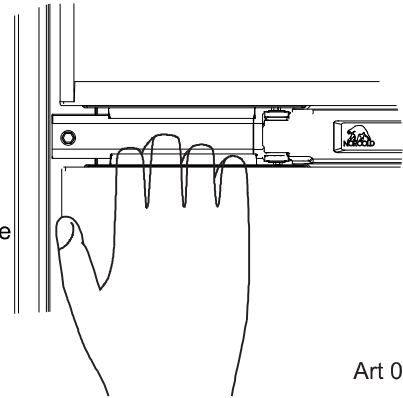
Bien qu'il ne s'agisse pas d'un modèle sans givre, ce réfrigérateur est conçu pour limiter l'accumulation de givre sur les ailettes de refroidissement. À intervalles réguliers, le système de commande de température dégivre automatiquement les ailettes de refroidissement. L'eau qui en résulte tombe dans une cuve fixée au dos du réfrigérateur. L'eau de la cuve s'évapore ensuite sous l'effet de la chaleur du système frigorifique.

Système de fonctionnement de secours :

Ce réfrigérateur possède un système de fonctionnement de secours. Le système de fonctionnement de secours permet au réfrigérateur de continuer à refroidir en cas de panne du détecteur de température du réfrigérateur.

Si cette panne se produit :

- Le réfrigérateur passe automatiquement au système de fonctionnement de secours.
 - Appuyer sur le bouton TEMP SET (réglage de la température), la sélection de température clignote sur l'écran central pendant dix secondes.
- Le système de fonctionnement de secours peut surgeler ou dégeler le contenu du congélateur et du compartiment de denrées fraîches.
 - Veiller à ce que les températures du congélateur et du compartiment de denrées fraîches soient satisfaisantes.



Utilisation des commandes du réfrigérateur

Allumage et mise en marche :

AVIS Les tableaux de commande sont extrêmement sensibles. La preuve d'une modification ou du retrait de l'étui protecteur entraînera l'ANNULATION de la garantie.

Avant l'allumage ou la mise en marche du réfrigérateur :

- S'assurer de l'absence d'obstruction ou de restriction de l'écoulement d'air dans la prise d'air inférieure, à travers les serpentins et le condenseur du réfrigérateur, et par la bouche d'échappement supérieure.
- S'assurer qu'il n'y a pas de matières combustibles à l'intérieur ni autour du réfrigérateur.
- S'assurer que la tension c.c. du réfrigérateur est 12,0 V c.c.

Air dans les tuyaux d'arrivée de gaz propane

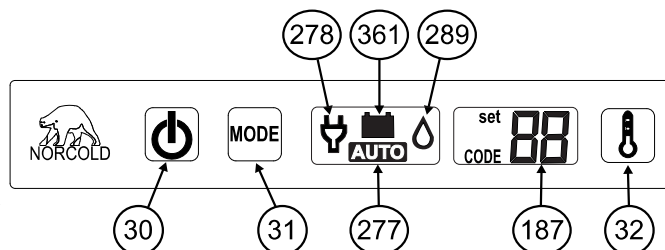
AVIS Pour des raisons de sécurité, les commandes électroniques des réfrigérateurs sont conçues pour que, pendant le fonctionnement en mode GPL, l'essai d'allumage (durée maximum pendant laquelle le robinet de gaz et l'allumeur peuvent être en marche sans flamme) est limité à 30 secondes. La première fois que le réfrigérateur est mis en marche, après son entreposage ou après le changement de la bouteille de gaz propane, il est possible qu'il reste de l'air dans les tuyaux d'arrivée de gaz propane.

Dans ce cas, le brûleur risque d'avoir du mal à s'allumer au gaz propane dans les 30 secondes. Dans le cas où cela se produirait, les sorties du robinet de gaz et de l'allumeur seront éteintes, le mode GPL sera « bloqué » et le code d'anomalie approprié s'affichera à l'écran. Consulter la section Codes d'anomalie dans ce manuel.

L'état de verrouillage du gaz peut être réinitialisé en mettant le réfrigérateur hors tension et ensuite de nouveau en marche, temps auquel un second essai d'allumage de 30 secondes démarrera. Il peut être nécessaire de répéter cette procédure plusieurs fois avant d'expulser tout l'air de l'alimentation GPL. Si après des tentatives répétées, il n'y a pas de flamme, arrêter et consulter le revendeur local ou le centre après-vente agréé Norcold.

Fonctionnement en mode automatique :

- Appuyer sur le bouton ON/OFF (marche/arrêt) [30] et le relâcher pour mettre le réfrigérateur en marche. (voir Art. 02629).
- Appuyer sur le bouton TEMP SET (réglage température) [32] selon les besoins pour régler la température.
 - Le chiffre un (1) qui apparaît sur l'écran [187] correspond à la température la plus élevée.
 - Le chiffre neuf (9) qui apparaît sur l'écran [187] correspond à la température la plus froide.
- Si l'icône AUTO [277] et l'icône AC PLUG (FICHE CA) [278] sont allumées, cela signifie que :
 - Le réfrigérateur a accès à une alimentation de 120 V c.a.
 - Le réfrigérateur fonctionne sur courant alternatif.
 - Au bout de dix secondes, le rétroéclairage de l'écran s'éteint.
- Si l'icône AUTO et l'icône FLAME (FLAMME) [289] sont allumées, cela signifie que :
 - Le réfrigérateur n'a pas accès à une alimentation de 120 V c.a.
 - Le réfrigérateur fonctionne au gaz propane.
 - Au bout de dix secondes, le rétroéclairage de l'écran s'éteint.



Art 02629

Si le réfrigérateur n'a pas accès à une alimentation de 120 V c.a. ou au gaz propane :

- Réfrigérateurs à double alimentation :
 - Les codes d'anomalie « no AC » (pas de c.a.) puis « no FL » (pas de gaz) s'affichent à l'écran central et une alarme retentit.
 - Consulter la section « Codes d'anomalie » dans ce manuel pour connaître la signification de toute anomalie affichée.
- Réfrigérateurs triple alimentation uniquement :
 - L'icône Auto et l'icône Battery (batterie) [361] sont allumées.
 - Au bout de dix secondes, le rétroéclairage de l'écran s'éteint.
 - Ceci signifie que le réfrigérateur fonctionne sur courant continu.

Si le réfrigérateur a accès à une source d'alimentation, mais que cette alimentation est défaillante :

- En mode automatique, les contrôles électroniques du réfrigérateur sélectionneront automatiquement la source d'énergie à l'aide du schéma de priorité suivant :

1^{er} choix : Courant alternatif
2e choix : GPL

- En mode Auto, si un choix à priorité élevée est disponible (par ex. tension c.a. réappliquée), la commande cesse d'utiliser le mode actuel et passe à un mode de priorité plus élevé.

Fonctionnement en mode manuel c.a. :

- Appuyer sur le bouton ON/OFF (marche/arrêt) [30] et le relâcher pour mettre le réfrigérateur en marche.
- Appuyer sur le bouton MODE [31] jusqu'à ce que l'icône AUTO s'éteigne et que seule l'icône AC PLUG (FICHE CA) [278] reste allumée.
- Appuyer sur le bouton TEMP SET (réglage température) [32] selon les besoins pour régler la température.
- L'icône AC PLUG [278] reste allumée jusqu'à la sélection d'un mode de fonctionnement différent ou l'arrêt du réfrigérateur.

Fonctionnement en mode manuel GPL :

- Appuyer sur le bouton ON/OFF (marche/arrêt) [30] et le relâcher pour mettre le réfrigérateur en marche.
- Appuyer sur le bouton MODE [31] jusqu'à ce que l'icône AUTO s'éteigne et que seule l'icône FLAME (FLAMME) [289] reste allumée.
- Appuyer sur le bouton TEMP SET (réglage température) [32] selon les besoins pour régler la température.
- L'icône FLAME [278] reste allumée jusqu'à la sélection d'un mode de fonctionnement différent ou l'arrêt du réfrigérateur.

Mise à l'arrêt - Tous les modèles :

- Pour éteindre le réfrigérateur, appuyer sur le bouton ON/OFF (marche/arrêt) [30] et le maintenir enfoncé pendant deux secondes et relâcher.

Effets de l'altitude élevée sur le fonctionnement au gaz propane

Lorsque le réfrigérateur fonctionne au gaz propane à des altitudes de plus de 5500 pieds au-dessus du niveau de la mer :

- Le réfrigérateur risque de ne pas donner d'aussi bons résultats.
- Le brûleur risque de s'éteindre spontanément.

Pour éviter ce type de problème, Norcold recommande de faire fonctionner le réfrigérateur sur courant alternatif lorsque l'on se trouve à des altitudes de plus de 5500 pieds au-dessus du niveau de la mer.

Effets des températures de congélation sur le fonctionnement du réfrigérateur

Les réfrigérateurs à absorption de gaz ne sont pas conçus pour fonctionner à des températures de congélation. Si le réfrigérateur n'est pas équipé pour fonctionner à basse température et que son système frigorifique est exposé à des températures inférieures ou égales à 32 °F pendant une période prolongée, son fonctionnement risque d'être perturbé. Son fonctionnement reprendra alors une fois son système frigorifique suffisamment réchauffé.

Si le réfrigérateur est équipé pour fonctionner à basse température, il peut fonctionner à des températures allant jusqu'à 0 °F.

Les perturbations du fonctionnement du réfrigérateur dues à une exposition prolongée à des températures inférieures ou égales à 32 °F et les coûts subis pour réchauffer le système frigorifique du réfrigérateur ne sont pas couverts par la garantie limitée Norcold. Prière de s'adresser au revendeur local de véhicules de loisirs pour obtenir les renseignements nécessaires sur la reprise du fonctionnement du réfrigérateur ou sur la façon d'équiper le réfrigérateur en vue de son fonctionnement à des températures de congélation.

Ne pas modifier l'installation ni la ventilation du réfrigérateur. Les pannes de réfrigérateur dues à des modifications apportées à l'installation ou à la ventilation du réfrigérateur ne sont pas couvertes par la garantie limitée de Norcold.

Machine à glaçons (modèles N10LXIM et NA10LXIM)

La machine à glaçons est montée dans les réfrigérateurs à l'usine comme équipement disponible en option. Si le réfrigérateur ne comporte pas de machine à glaçons installée en usine, il ne sera pas possible d'en ajouter une au réfrigérateur plus tard.

La machine à glaçons est totalement automatique et fonctionne à des températures ambiantes aussi basses que 0 °F. Pour permettre un fonctionnement dans des températures situées entre 0 °F et 32 °F, la machine à glaçons possède une chauffelette sur l'électrovanne d'eau et sur le tuyau d'eau entre l'électrovanne d'eau et la machine à glaçons.



La chauffelette du tuyau d'eau ne protège pas le tuyau d'arrivée d'eau du robinet d'arrêt d'eau du véhicule à l'électrovanne d'eau situé à l'arrière du réfrigérateur.

Lorsque la température du congélateur du réfrigérateur est suffisamment basse, la machine à glaçons ouvre l'électrovanne d'eau et remplit le moule. La machine à glaçons éjecte les glaçons dans le bac d'entreposage. Au fur et à mesure que ce bac se remplit, les glaçons élèvent le bras d'arrêt jusqu'à ce qu'il arrête la machine à glaçons. Au fur et à mesure que les glaçons sont utilisés et que le niveau de glaçons baisse dans le bac d'entreposage, le bras d'arrêt s'abaisse également. Ceci met en marche la machine à glaçons et commence le processus de fabrication de glaçons.

Fonctionnement de la machine à glaçons :

- Eau froide potable à une pression de 15 psi à 125 psi.
- 120 volts c.a. (108 V c.a. min. - 132 V c.a. max.).

Fonctionnement de la machine à glaçons :

1. Veiller à ce que le cordon d'alimentation c.a. séparé (blanc) qui alimente la machine à glaçons en courant alternatif est solidement fixé.
2. Ouvrir le robinet d'arrêt d'eau du véhicule.



For maximum production of ice, the freezer blower must be turned on.

AVIS S'assurer que le bras de la machine à glaçons peut se déplacer librement et ne touche pas les aliments congelés dans le congélateur.

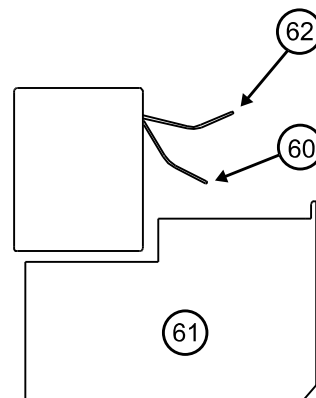
3. Pousser le bras de la machine à glaçons vers le bas en position ON (Marche) [50] (voir Art. 01015).

ATTENTION En cas d'utilisation du réfrigérateur sans raccordement du tuyau d'arrivée d'eau et (ou) ouverture du robinet d'arrêt d'eau du véhicule, s'assurer que le bras de la machine à glaçons est levé en position OFF (Arrêt).

4. Laisser le congélateur refroidir suffisamment et la production de glaçons commencera à remplir le bac d'entreposage [61].

AVIS De nouveaux raccords de plomberie et/ou des impuretés dans le tuyau d'arrivée d'eau après l'hivernisation peuvent faire en sorte que les premiers glaçons soient décolorés ou aient un goût altéré.

5. Pour arrêter la machine à glaçons, pousser son bras vers le haut en position OFF (Arrêt) [62].



Art 01015

Liste de contrôle de l'état du réfrigérateur

Il suffit d'effectuer les simples vérifications suivantes tous les trois à six mois pour obtenir de longues années de bons et loyaux services de la part du réfrigérateur :

- Veiller à la propreté du compartiment pour les aliments et du congélateur. Voir « Nettoyage ».
- Dégivrer le réfrigérateur aussi souvent que nécessaire. Voir « Dégivrage ».
- S'assurer de l'étanchéité de la fermeture de la porte. Voir « Fermeture étanche de la porte ».
- Veiller aux variations de refroidissement qui ne sont pas dues à un changement de température ambiante, de contenu ou de commande de gaz. Si de telles variations se produisent, s'enquérir auprès du revendeur ou d'un centre de service après-vente.
- S'assurer que l'alimentation en gaz est du gaz propane uniquement et non pas du butane ou un mélange de butane.
- En fonctionnement de gaz propane, examiner l'apparence de la flamme. Voir « Apparence de la flamme de gaz ».
- S'assurer de l'absence d'obstruction ou de restriction de l'écoulement d'air dans la prise d'air inférieure, à travers les serpentins et le condenseur du réfrigérateur, et par la bouche d'échappement supérieure.
- S'assurer du dégagement de l'espace derrière le réfrigérateur. Ne pas utiliser l'espace derrière le réfrigérateur pour ranger quoi que ce soit, en particulier de l'essence ou d'autres matériaux à vapeurs ou liquides inflammables.

Dégivrage

Les ailettes de refroidissement du réfrigérateur fonctionnent à des températures de gel et il est normal qu'au contact de l'humidité toujours présente dans l'air elles se couvrent de givre. L'humidité à l'intérieur du réfrigérateur augmente :

- proportionnellement à la température et à l'humidité extérieures ;
- lorsque des aliments frais non recouverts ou des aliments encore chauds sont placés dedans ;
- d'autant plus que la ou les portes sont laissées longtemps ouvertes ;
- si le réfrigérateur présente des fuites d'air.

Bien qu'il ne s'agisse pas d'un modèle sans givre, ce réfrigérateur est conçu pour limiter l'accumulation de givre sur les ailettes de refroidissement. À intervalles réguliers, le système de commande de température dégivre automatiquement les ailettes de refroidissement. L'eau qui en résulte tombe dans une cuve fixée au dos du réfrigérateur. L'eau de la cuve s'évapore ensuite sous l'effet de la chaleur du système frigorifique.

Il est normal que du givre s'accumule à l'intérieur du congélateur. Un réfrigérateur trop givré risque de ne pas donner d'aussi bons résultats. Dégivrer le réfrigérateur et le congélateur aussi souvent que nécessaire :

- Sortir tous les aliments du réfrigérateur.
- Éteindre le réfrigérateur.

AVIS *Le dégivrage rend beaucoup d'eau dans le réfrigérateur.*

- Retirer le tuyau de vidange de la cuvette d'égouttage, à l'arrière du réfrigérateur.
- Placer le tuyau de vidange dans un récipient d'au moins un demi-gallon pour récupérer l'eau.
- Placer des serviettes sèches (etc.) à l'intérieur du réfrigérateur et du congélateur pour absorber le givre fondu.

ATTENTION **Des températures élevées peuvent entraîner la distorsion ou la fonte des surfaces intérieures du réfrigérateur. Ne pas utiliser de récipients d'eau TRÈS CHAUDE, de sèche-cheveux ou d'autres dispositifs à haute température pour dégivrer le réfrigérateur. Ne pas employer d'objets durs ou tranchants pour enlever le givre. L'intérieur du réfrigérateur risquerait d'être endommagé.**

- Pour obtenir un dégivrage plus rapide, placer des récipients d'eau CHAUDE dans le réfrigérateur et dans le congélateur.
- Enlever les serviettes humides (etc.) et sécher l'intérieur.
- Retirer le tuyau de vidange du grand récipient et le replacer dans la cuvette d'égouttage.
- Retirer le grand récipient de l'enceinte.
- Remettre le réfrigérateur en route.
- Laisser le réfrigérateur se refroidir.
- Remettre tous les aliments dans le réfrigérateur.

Nettoyage

Intérieur :

Il est conseillé de nettoyer le réfrigérateur juste après l'avoir dégivré. Nettoyer l'intérieur du réfrigérateur aussi souvent que nécessaire pour éviter les odeurs :

- Sortir tous les aliments du réfrigérateur.

AVIS *Ne pas se servir de produits de nettoyage abrasifs, de produits chimiques ou de tampons à récurer, car ils risquent d'endommager l'intérieur du réfrigérateur.*

- Laver l'intérieur avec un produit de nettoyage doux ou un mélange de détergent liquide pour vaisselle et d'eau chaude.
- Rincer avec un mélange de bicarbonate de soude et d'eau propre.
- Sécher avec un chiffon propre.
- Remettre tous les aliments dans le réfrigérateur.

Plateau de dégivrage :

Pour retirer le plateau de dégivrage et pour le nettoyer, procéder comme suit :

AVIS

Ne pas laver le plateau de dégivrage dans un lave-vaisselle. Il n'est pas prévu à cet effet.

- Retirer le plateau de dégivrage du tuyau de vidange.
- Tirer sur le plateau de dégivrage pour le sortir des fentes de la caisse du réfrigérateur.
- Nettoyer le plateau de dégivrage.
- Pousser le plateau de dégivrage pour le remettre en place dans les fentes de la caisse du réfrigérateur.
- Pousser le plateau de dégivrage en place dans le tuyau de vidange.

Clayette en verre :

Pour nettoyer la clayette en verre :

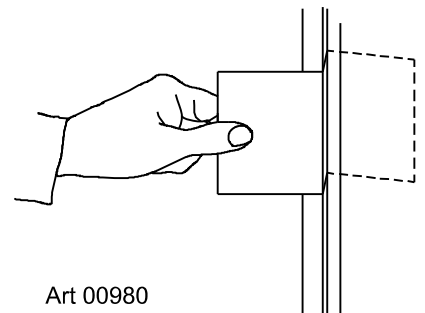
- Retirer la vis et l'anneau qui se trouvent devant la clayette en verre.
- Tirer la clayette en verre vers l'avant pour la faire sortir du logement.
- Après le nettoyage, pousser la clayette en verre à fond dans le logement.
- Remettre la vis et l'anneau en place dans leur position d'origine.

Fermeture étanche de la porte

Vérification du joint des portes.

Si l'une ou l'autre des portes n'est pas absolument étanche, un excès de givre se formera à l'intérieur du réfrigérateur. S'assurer de l'étanchéité de la fermeture des portes (voir Art. 00980) :

- Fermer chaque porte sur un morceau de papier à peu près de la taille d'un billet d'un dollar.
- Tirer doucement sur le papier.
 - Une légère résistance doit se faire sentir entre le joint et la caisse.
 - Répéter cette opération sur les quatre côtés de la porte.
 - L'absence d'une légère résistance exercée sur le papier indique une mauvaise étanchéité de la porte.
 - Faire vérifier l'étanchéité de la porte par un revendeur ou un centre de service après-vente agréé Norcold.



Entreposage du réfrigérateur

Avant d'entreposer un réfrigérateur pour une période prolongée de temps (saisonnière) :

- Dégivrer et nettoyer l'intérieur du réfrigérateur.
- Fermer les portes à l'aide du loquet d'entreposage.

Avant de remettre en marche un réfrigérateur qui a été entreposé pendant un certain temps :

- S'assurer de l'absence d'obstructions aux bouches de ventilation, passages d'air de ventilation, brûleur, buse ou zone des gaz de combustion.

Entreposage de la machine à glaçons (modèles N10LXIM et NA10LXIM)

Pour préparer la machine à glaçons pour son entreposage saisonnier, procéder comme suit :

1. Fermer le robinet d'arrivée d'eau relié à la machine à glaçons du véhicule.
2. Pousser vers le haut le bras de la machine à glaçons jusqu'à ce qu'il se verrouille en position OFF (Arrêt).
3. Débrancher l'adaptateur de tuyau d'arrosage au niveau de l'électrovanne d'eau.
4. Retirer de l'électrovanne d'eau le tuyau d'eau de la machine à glaçons.
 - Ne pas débrancher les fils du radiateur de l'eau autour de l'électrovanne.
5. Vidanger toute l'eau du tuyau d'arrivée d'eau et du tuyau d'eau de la machine à glaçons.
6. Placer l'extrémité du tuyau d'arrivée d'eau, l'extrémité du tuyau d'eau de la machine à glaçons et l'électrovanne d'eau individuellement dans un sac en plastique propre.
7. Fermer à l'aide de ruban adhésif chacun des sacs en plastique autour des tuyaux d'eau et de l'électrovanne d'eau.

Pour utiliser la machine à glaçons après son entreposage saisonnier, procéder comme suit :



Ne pas utiliser la machine à glaçons si la température ambiante est inférieure ou égale à 0 °F. L'électrovanne d'eau et le tuyau d'arrivée d'eau risqueraient d'être endommagés.

1. Retirer le ruban adhésif et les sacs en plastique de l'extrémité du tuyau d'arrivée d'eau, de l'extrémité du tuyau d'eau de la machine à glaçons et de l'électrovanne d'eau.
2. Brancher le tuyau d'eau de la machine à glaçons dans l'électrovanne d'eau.
3. Brancher l'adaptateur de tuyau d'arrosage au niveau de l'électrovanne d'eau.
4. Pousser vers le bas le bras de la machine à glaçons jusqu'en position « MARCHE ».
5. Ouvrir le robinet d'arrivée d'eau relié à la machine à glaçons du véhicule.



Jeter sans les utiliser les deux premiers groupes de glaçons. Il faut en effet environ trois cycles à la machine à glaçons pour fournir des glaçons entièrement formés et propres.

Liste de contrôle de l'entretien du réfrigérateur

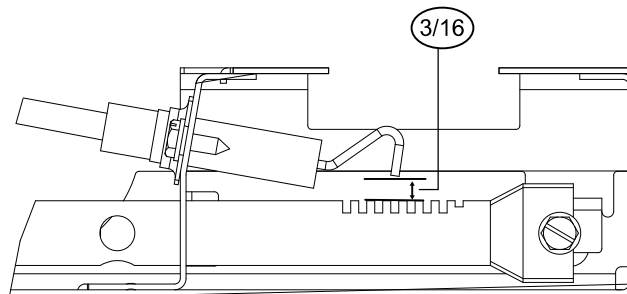
Lire les sections suivantes de ce manuel relatives à l'entretien et en assimiler le contenu.

AVIS

Norcold décline toute responsabilité en cas d'installation, de réglage, de modification, de réparation ou d'entretien effectué(e) par quiconque autre qu'un revendeur de véhicules de loisirs qualifié ou un centre de service après-vente agréé Norcold.

Demander à un revendeur de véhicules de loisirs qualifié ou un centre de service après-vente agréé Norcold d'effectuer ces contrôles annuels de sécurité et d'entretien suivants :

- chercher les fuites sur les tuyaux d'arrivée de gaz ;
 - remplacer ou réparer, si nécessaire ;
- S'assurer que la pression du gaz propane est à 11 po de colonne d'eau.
 - régler si nécessaire ;
- vérifier que le joint de combustion est complet et intact ;
 - le remplacer ou le réparer, si nécessaire ;
- vérifier que le brûleur et sa buse sont propres ;
 - le nettoyer si nécessaire.
- S'assurer que l'électrode est propre et que l'écartement des électrodes est de 3/16 po. (voir Art. 02673).
 - régler si nécessaire ;
- S'assurer que la tension c.a. est de 108 à 132 volts et la tension c.c. de 10,5 à 15,4 volts.
- S'assurer que l'espace derrière le réfrigérateur est libre de tous matériaux combustibles, essence et autres matériaux à vapeurs ou liquides inflammables.



Art 02673

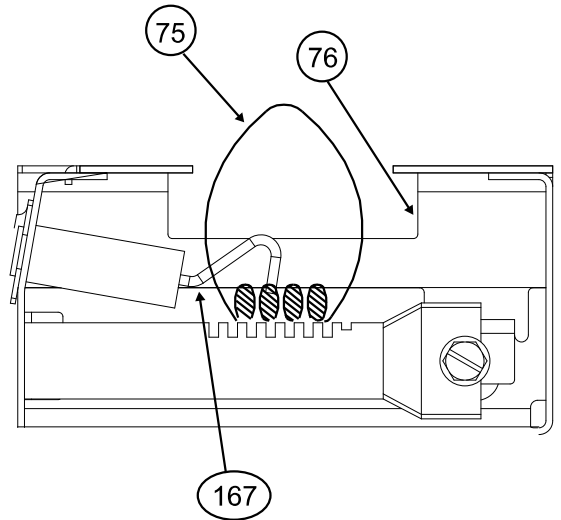
Entretien du réfrigérateur

Lors du fonctionnement au GAZ, examiner l'apparence de la flamme de gaz :

- ouvrir la prise d'air inférieure.

ATTENTION Le couvercle du compartiment du brûleur peut être brûlant. Porter des gants pour éviter les brûlures.

- Ouvrir le couvercle du regard.
- Examiner la flamme du gaz [75] (voir Art. 02684).
 - La flamme doit être :
 - d'un bleu plus foncé à l'intérieur qu'à l'extérieur
 - de forme constante et sans vacillation ;
 - S'enquérir auprès du revendeur ou du centre de service après-vente agréé Norcold si la flamme est :
 - jaune ;
 - vacillante ou de forme changeante.
 - Veiller à ce que la flamme ne touche pas l'intérieur du tuyau de fumée [76].
 - Si la flamme touche l'intérieur du conduit de fumée, contacter le revendeur ou le centre de service après-vente agréé Norcold.
- Fermer la porte du compartiment du brûleur.



Art 02684

Retrait et nettoyage de la buse du brûleur :

Cette opération doit être effectuée par un revendeur ou un centre de service après-vente agréé Norcold.

Retrait et nettoyage de la buse du brûleur :

- Fermer le robinet à la ou aux bouteilles de gaz propane.
- Appuyer sur le bouton ON/OFF (marche/arrêt) pour éteindre le réfrigérateur.
- Ouvrir la prise d'air inférieure pour exposer l'arrière du réfrigérateur.

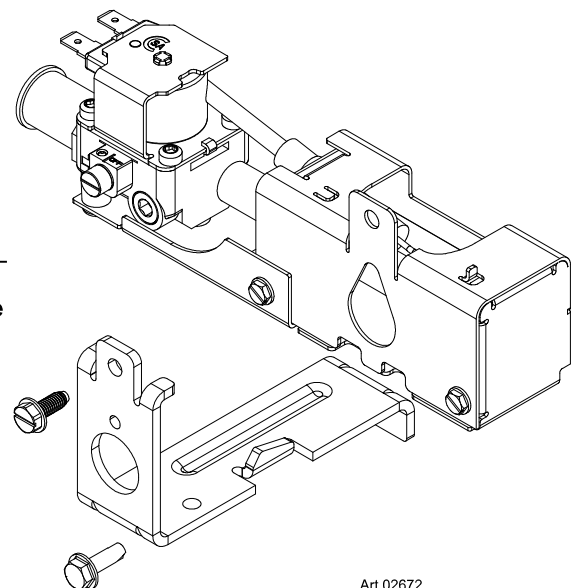
ATTENTION Le couvercle du compartiment du brûleur peut être brûlant. Porter des gants pour éviter les brûlures.

- Débrancher la rampe de régulation de circulation de gaz l'alimentation en GPL

AVERTISSEMENT Pour éviter les fuites de gaz propane, toujours se servir de deux clés pour serrer ou desserrer les raccords du tuyau d'arrivée de gaz.

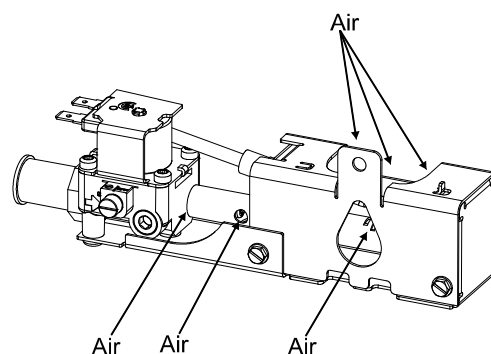
- Retirer la rampe de régulation de circulation de gaz de l'unité de refroidissement en enlevant les deux vis (voir Art. 02672).

AVERTISSEMENT Lors du nettoyage, ne pas essayer de démonter la buse de son adaptateur. La buse et son joint risqueraient d'être endommagés, ce qui pourrait causer une fuite de gaz propane. Le gaz propane qui s'échappe risque de s'enflammer ou d'exploser, d'où risque de blessures graves ou mortelles. Ne pas nettoyer la buse avec une épingle ou tout autre objet.



Art 02672

- Nettoyer les ouvertures du tube du brûleur uniquement à la pression d'air comprimé (voir Art. 02671).
- Remonter la rampe de régulation de circulation de gaz sur l'unité de refroidissement et resserrer les deux vis retirées.
- Monter l'alimentation de gaz à la rampe de régulation de circulation de gaz et serrer en utilisant deux clés.
- Ouvrir la vanne au niveau de la (des) bouteille(s) de gaz et mettre le réfrigérateur en marche en choisissant le gaz comme source d'alimentation.
- Vérifier qu'il n'y a pas de fuites de gaz sur tous les branchements en utilisant une solution pour tester les fuites.
- Replacer la prise d'air inférieure.



Art 02671

Retrait du réfrigérateur

Cette opération doit être effectuée par un revendeur ou un centre de service après-vente agréé Norcold.



L'arrière du réfrigérateur présente des arêtes vives et des angles coupants. Pour éviter de se couper ou de s'écorcher lors du travail sur le réfrigérateur, faire attention et porter des gants résistant aux coupures.

1. Fermer le robinet à la ou aux bouteilles de gaz propane.



Pour éviter les fuites de gaz propane, toujours se servir de deux clés pour serrer ou desserrer les raccords du tuyau d'arrivée de gaz.

2. Retirer le cordon d'alimentation c.a. noir et le cordon d'alimentation c.a. blanc de la machine à glaçons (modèles N10LXIM et NA10LXIM uniquement) de la prise de courant.
3. Retirer les fils c.c. du réfrigérateur :
 - Marquer les fils c.c. pour être sûr de les remettre au bon endroit.
 - Débrancher le fusible c.c. ou les fils c.c. de la batterie ou du convertisseur.

Retirer les fils c.c. du réfrigérateur.
4. Ouvrir la prise d'air inférieure et enlever le tuyau d'arrivée de gaz du robinet de gaz mixte du réfrigérateur.
5. Débrancher l'adaptateur de tuyau d'arrosage au niveau de l'électrovanne d'eau (modèles N10LXIM et NA10LXIM uniquement).
6. Retirer les vis de la bride de montage à l'arrière du réfrigérateur.
7. Retirer les garnitures supérieure et inférieure des brides de montage du réfrigérateur.
8. Retirer les vis des brides de montage supérieure et inférieure à l'avant du réfrigérateur.
9. Retirer le réfrigérateur de l'ouverture.

Réinstallation du réfrigérateur

Cette opération doit être effectuée par un revendeur ou un centre de service après-vente agréé Norcold.



S'assurer que le joint de combustion n'est pas rompu, qu'il entoure complètement les brides de montage du réfrigérateur et qu'il sépare ces brides de la paroi de l'enceinte. Si le joint de combustion est interrompu, des gaz d'échappement peuvent s'infiltrer dans l'habitacle du véhicule. L'inhalation de gaz d'échappement peut causer des vertiges, des nausées et, dans les cas extrêmes, la mort.

1. Faire entrer complètement le réfrigérateur dans l'enceinte.
2. Installer les vis dans les brides de montage supérieure puis inférieure à l'avant du réfrigérateur.
3. Installer les garnitures supérieure et inférieure sur les brides de montage du réfrigérateur.
4. Installer les vis dans la bride de montage à l'arrière du réfrigérateur.



Pour éviter les fuites de gaz propane, toujours se servir de deux clés pour serrer ou desserrer les raccords du tuyau d'arrivée de gaz.

5. Brancher l'adaptateur de tuyau d'arrosage sur l'électrovanne d'eau (modèles N10LXIM et NA10LXIM).
6. Brancher le tuyau d'arrivée de gaz au robinet de gaz mixte du réfrigérateur.
7. Ouvrir le robinet à la ou aux bouteilles de gaz propane.

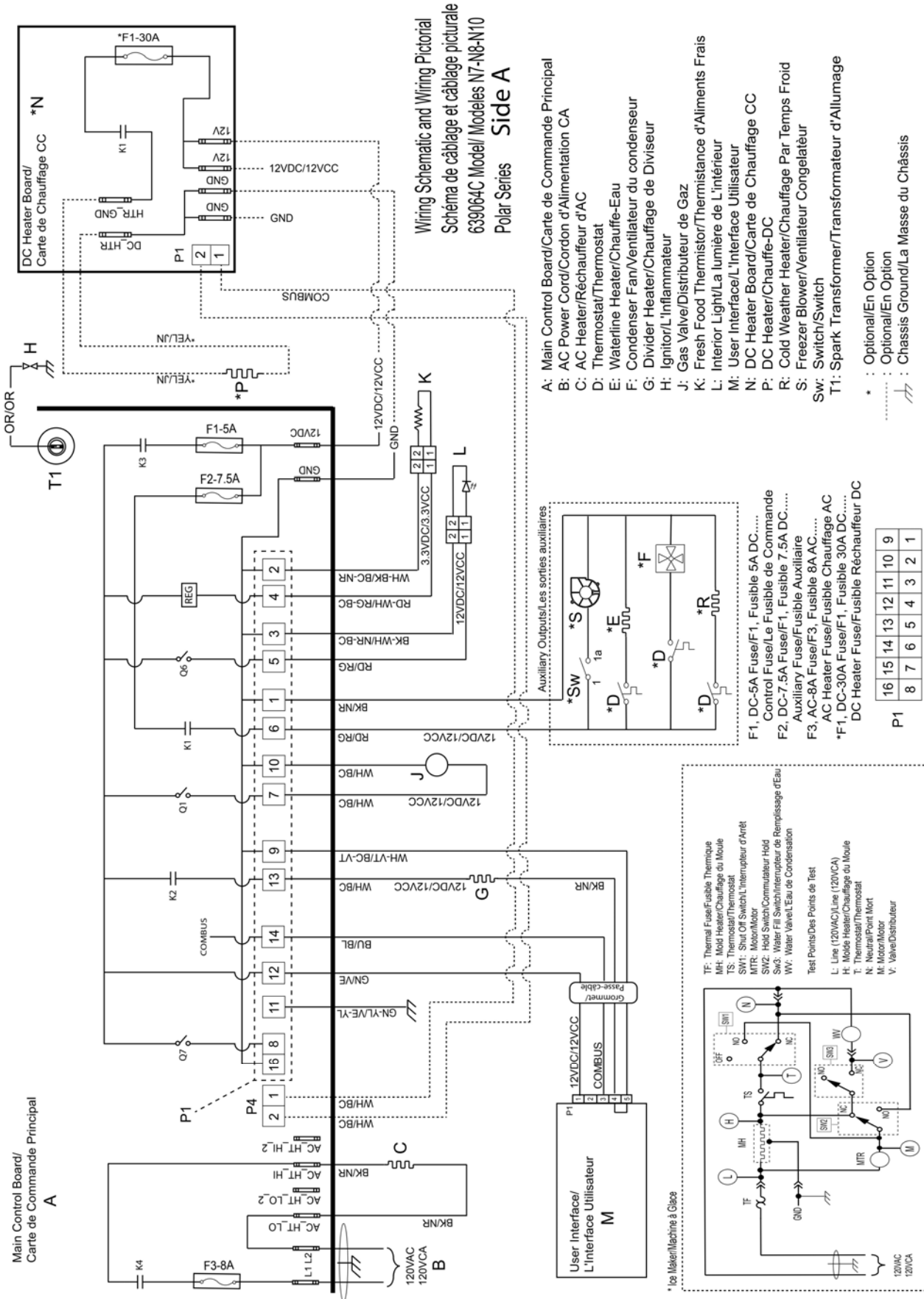


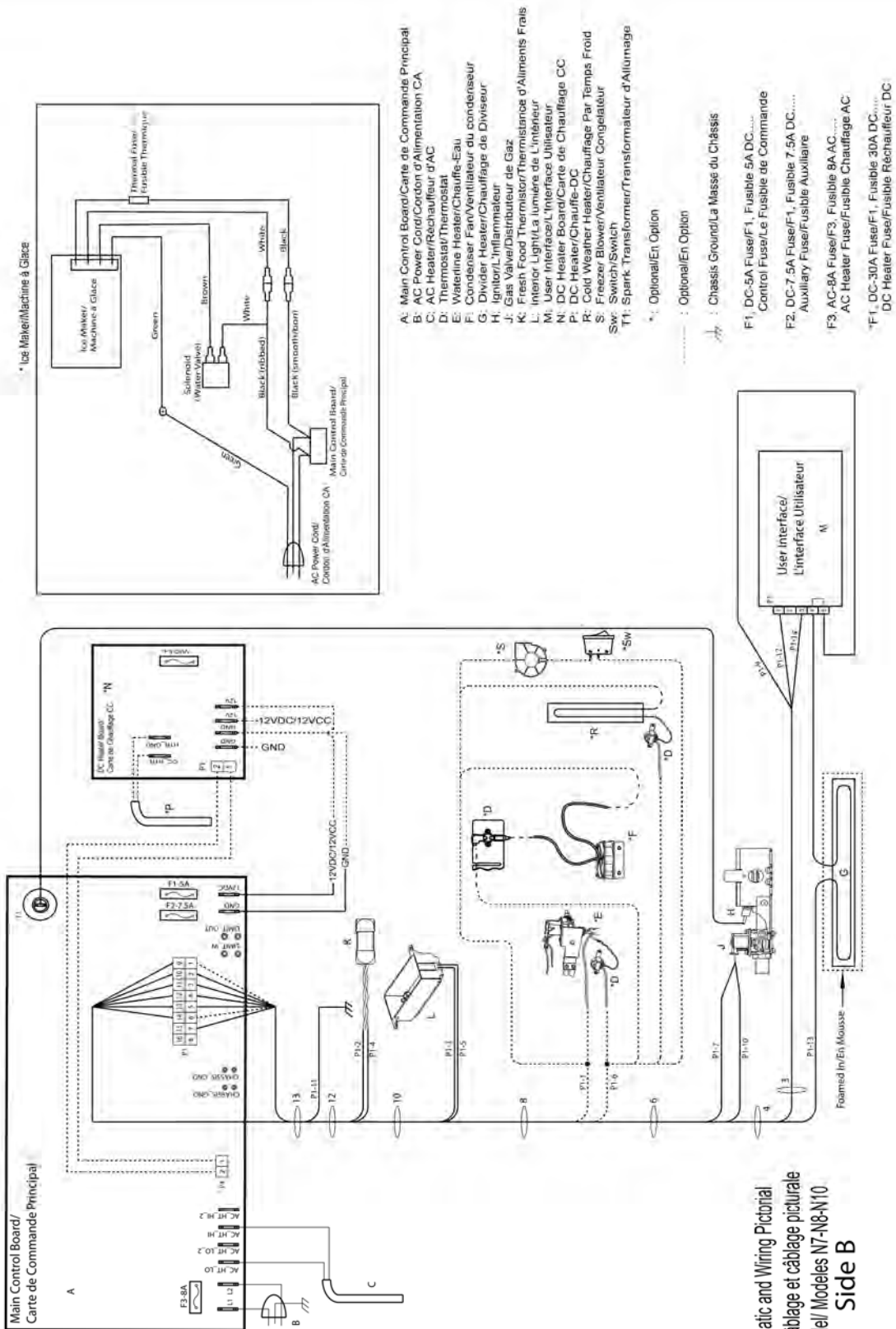
Ne pas laisser la solution de contrôle des fuites entrer en contact avec les composants électriques. Nombre de liquides sont conducteurs et peuvent poser des risques de court-circuit, voire même d'incendie.

8. Chercher les fuites au tuyau d'arrivée de gaz.
9. Rebrancher les fils c.c. au réfrigérateur :
 - Brancher les fils c.c. au réfrigérateur.
 - Installer le fusible c.c. ou brancher les fils c.c. sur la batterie ou le convertisseur du véhicule.
10. Brancher le cordon d'alimentation c.a. noir et le cordon d'alimentation c.a. blanc de la machine à glaçons (modèles N109XIM et N109XIMXX uniquement) sur la prise de courant.

Pièces de rechange

Les pièces de rechange peuvent être obtenues auprès du revendeur de véhicules de loisirs local ou d'un centre de service après-vente agréé Norcold.





Wiring Schematic and Wiring Pictorial
 Schéma de câblage et câblage pictorial
 639064C Model/ Modèles N7-N8-N10
 Polar Series Side B

Codes d'anomalie (tous les modèles N10LX et N10LX)

Voyant lumineux et couleur	Signification	Actions correctives
Indicateur de mise sous tension est allumé en rouge	Le réfrigérateur a essayé de fonctionner sur la source d'énergie choisie(s), sans succès.	Mettez le réfrigérateur HORS TENSION, puis sous tension pour réinitialiser. Vérifier : - que le réfrigérateur est branché sur une prise de courant - que les pièces réparables Matériel de charge de la batterie du véhicule est opérationnel - que le convertisseur CA/CC est opérationnel (si applicable) - que la soupape du réservoir de gaz propane(s) est ouverte - que le propane, le gaz est à la pression correcte - que le robinet d'arrêt manuel du réfrigérateur de la valve à gaz est ouverte - qu'il n'y a pas d'air dans la conduite d'alimentation en gaz propane - Veuillez consulter votre revendeur ou le centre de service autorisé Norcold
clignote en rouge, sur une (1) fois, est de cinq (5) secondes, répète	Ce défaut indique un problème lié à l'élément chauffant.	Ce n'est pas propriétaire d'un entretien. Veuillez consulter votre revendeur ou le centre de service autorisé Norcold
clignote en rouge, sur deux (2) fois, est de cinq (5) secondes, répète	Ce défaut est dans le réfrigérateur des commandes électroniques.	Mettez le réfrigérateur hors tension puis à nouveau pour réinitialiser. Si le code défaut persiste, veuillez consulter votre revendeur ou le centre de service autorisé Norcold
clignote en rouge, sur trois (3) fois, est de cinq (5) secondes, répète	Ce défaut est dans le réfrigérateur des commandes électroniques.	Mettez le réfrigérateur hors tension puis à nouveau pour réinitialiser. Si le code défaut persiste, veuillez consulter votre revendeur ou le centre de service autorisé Norcold
clignote en rouge, sur quatre (4) fois, est de cinq (5) secondes, répète	Ce défaut est dans le réfrigérateur des commandes électroniques.	Ce n'est pas propriétaire d'un entretien. Veuillez consulter votre revendeur ou le centre de service autorisé Norcold
clignote en rouge, sur cinq (5) fois, est de cinq (5) secondes, répète	Ce défaut indique une flamme est détectée au niveau du brûleur quand il devrait y avoir aucun présent.	Ce n'est pas propriétaire d'un entretien. Veuillez consulter votre revendeur ou le centre de service autorisé Norcold
clignote en rouge, sur huit (8) fois, est de cinq (5) secondes, répète	Ce défaut indique la tension d'entrée CC pour le réfrigérateur est trop faible.	Mettez le réfrigérateur HORS TENSION, puis sous tension pour réinitialiser. Vérifier : - que l'équipement de chargement de la batterie du véhicule est opérationnel - que le convertisseur CA/CC est opérationnel (si applicable) - Veuillez consulter votre revendeur ou le centre de service autorisé Norcold
clignote en rouge, sur neuf (9) fois, est de cinq (5) secondes, répète	Ce défaut indique la tension d'entrée CC pour le réfrigérateur est trop élevé.	Mettez le réfrigérateur HORS TENSION, puis sous tension pour réinitialiser. Vérifier : - que l'équipement de chargement de la batterie du véhicule est opérationnel - que le convertisseur CA/CC est opérationnel (si applicable) - Veuillez consulter votre revendeur ou le centre de service autorisé Norcold
rouge clignote sur dix (10) fois, est de cinq (5) secondes, répète	Ce défaut indique une perte de communication entre le réfrigérateur des contrôles.	Mettez le réfrigérateur hors tension puis à nouveau pour réinitialiser. Si le code défaut persiste, veuillez consulter votre revendeur ou le centre de service autorisé Norcold
Vert, clignote toutes les 20 secondes	Le réfrigérateur fonctionne sur secteur de l'énergie électrique. La thermistance a été détecté comme étant inutilisable, donc la température est contrôlée via le système d'exploitation de secours.	Ce n'est pas propriétaire d'un entretien. Veuillez consulter votre revendeur ou le centre de service autorisé Norcold
L'ambre, clignote toutes les 20 secondes	Le réfrigérateur fonctionne sur secteur de l'énergie électrique. La thermistance a été détecté comme étant inutilisable, donc la température est contrôlée via le système d'exploitation de secours.	Ce n'est pas propriétaire d'un entretien. Veuillez consulter votre revendeur ou le centre de service autorisé Norcold
L'écran est vide	Le réfrigérateur est à l'arrêt ou le réfrigérateur ne s'allume pas.	Mettez le réfrigérateur en marche Vérifier : - que l'équipement de chargement de la batterie du véhicule est opérationnel - que le convertisseur CA/CC est opérationnel (si applicable) - Veuillez consulter votre revendeur ou le centre de service autorisé Norcold

This manual has been provided courtesy of
My RV Works, Inc.

www.myrvworks.com



You can find more RV service manuals here:

www.myrvworks.com/manuals

Over the years of running a mobile RV repair service, having a dedicated place to access service manuals for all the different appliances and components found on RVs was something that I always had a desire to create.

I hope this resource makes your RV repairs easier, as it has mine, but please be careful and follow proper safety practices when attempting to repair your own RV.

If in doubt, please consult with a professional RV technician!



DARREN KOEPP - OWNER, MY RV WORKS, INC.

All service manuals provided on www.myrvworks.com are believed to be released for distribution and/or in the public domain.